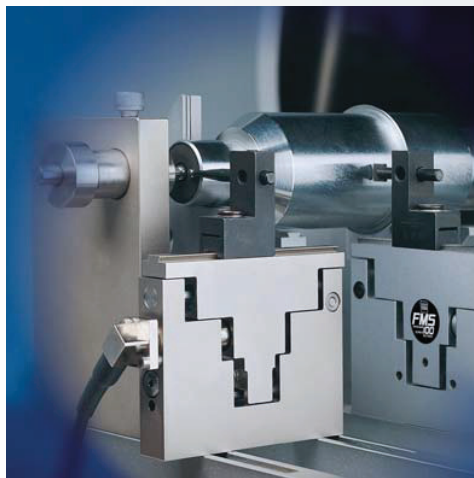
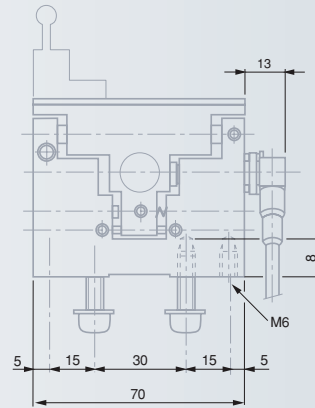
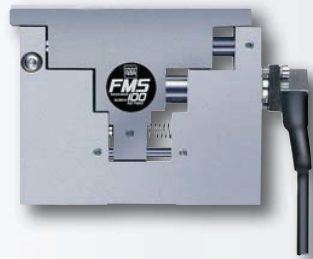


FMS probes with angled cable exit

		Measuring range (mm)	N*	Measuring bolt retraction (accessory)
<i>Standard probes</i>				
03230028	FMS 102	± 2	2	air pressure
03230050	FMS 132	± 2,9	2	air pressure
<i>Probes «FMS protected»</i>				
03230038	FMS 102-P	± 2	2	air pressure
03230052	FMS 132-P	± 2,9	2	air pressure

* Nominal value at electrical zero; max. deviation ±25%. Valid for probing movement exerted horizontally or in static measuring.



DIN 32876 Part 1

See in tables

Any position of use

4 coupling threads M6. Linear

ball-bearing guiding with fixed stops.

Insert holder attachment with dovetail.

Cable length: 2 m.

5-pin connector including a feature matching DIN 45322 for signal adjustment.

Hardened steel probe body, nickel-plated

Moved mass 110 g

13 kHz (± 5%) drive frequency. Highest mechanical frequency to 25 Hz

0,15 µm/°C

20 ± 0,5°C

-10°C to 65°C

80%

IP50 for standard probes or IP54 for protected probes (IEC 60529)

Shipping packaging

Identification number

Inspection report with a declaration of conformity



		Mechanical stop lower mm upper mm	mm	µm	µm	µm***	Technical data sheets
FMS 102		-2,9 2,9	5,8	0,5	0,5	0,2 + 3 · L ³	03200254
FMS 102-P		-2,9 2,9	5,8	0,5	0,5	0,2 + 3 · L ³	03200289
FMS 132		-2,9 2,9	5,8	0,5	0,5	0,2 + 3 · L ³	03200343
FMS 132-P		-2,9 2,9	5,8	0,5	0,5	0,2 + 3 · L ³	03200345

** Distance from electrical zero. *** Linearity related max. perm. errors (L in mm).