

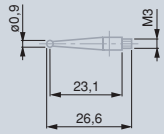
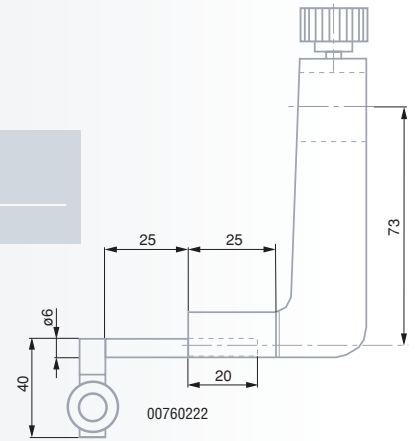


Accessories for measuring perpendicularity by means of a dial test indicator

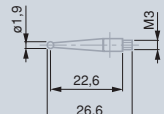
(Used with TESA MICRO-HITE plus M, TESA MICRO-HITE, TESA-HITE 400/700 and TESA-HITE plus M 400/700)



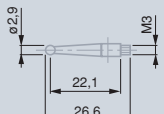
00760222 Probe insert holder for a dial test indicator (lever-type)



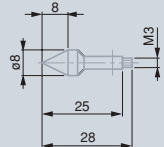
00760180



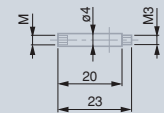
00760181



00760182



00760183



00760184/00760185

Optional Accessories



00760175 Set of probe inserts for TESA-HITE, TESA-HITE plus M, TESA-HITE magna, MICRO-HITE and MICRO-HITE plus M

00760186 Set of probe inserts for TESA-μHITE

Provided in a suited plastic case including:

00760177 1 Probe insert holder

00760187 1 Probe insert holder

00760178 1 Hardened steel rod for grooves, centring shoulders, blind bores etc., angled through 8°

00760179 1 Tungsten carbide cylindrical rod for depth measurement

Probe inserts, each with hardened steel ball tip

00760180 1 Item with a 0,9 mm tip diameter

00760181 1 Item with a 1,9 mm tip diameter

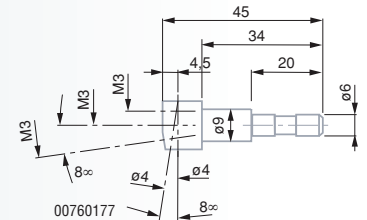
00760182 1 Item with a 2,9 mm diameter

00760183 1 Hardened steel probe insert with a cone-shaped measuring face, 8 mm diameter

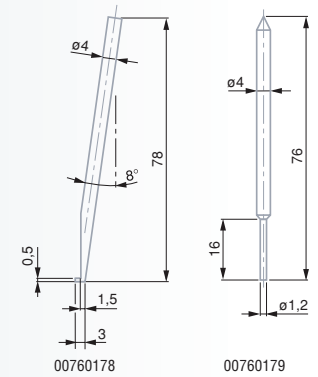
Extensions, 20 mm

00760184 1 Extension with a M3 thread for M3

00760185 1 Extension with a M3 thread for M2,5

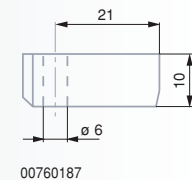


00760177

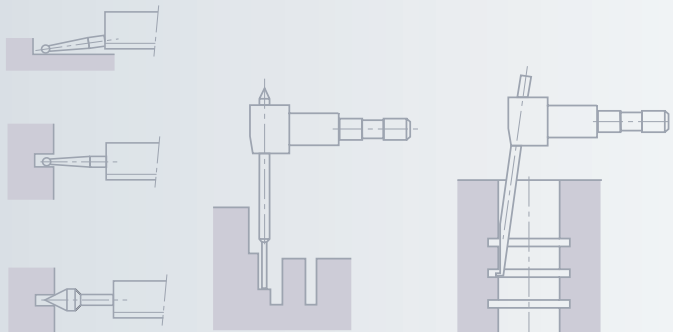


00760178

00760179

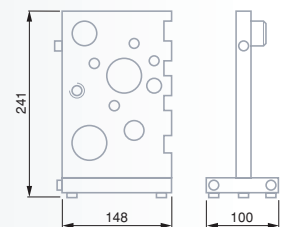


00760187



00760124 Practice piece

For one or two-dimensional measurements. Also for measuring straightness, perpendicularity and parallelism errors. Each User's manual POWER PANEL and POWER PANEL plus M includes some examples of programmed measurement cycles.



00760124