



Special steel, hardened

$(11,5 \pm 1,0) \times 10^{-6} K^{-1}$

Max. perm. deviation from the nominal size: 20 μm or 0.0008 in.
Uniformity of size within a set of three balls having the same nominal size: 1 μm or 0.00004 in

$\pm 0,5 \mu m$ or $\pm 0,00002$ in

Full set or set including three balls of same nominal size

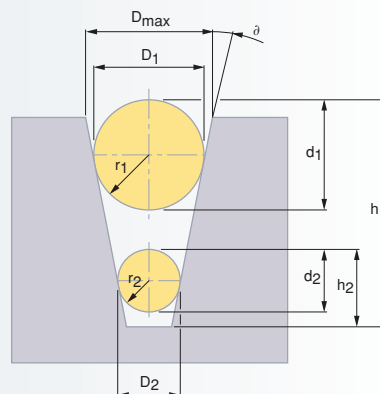
Wooden case

UKAS calibration certificate

Steel Balls

Steel balls are used to measure internal tapers and the like.

TESA Steel Balls



mm



Steel ball set



mm

1 ÷ 25



Step mm

1



Pieces/
Nominal size

3



Total pieces

36

0651500950

0651500951



Special steel, hardened

3 μm

Not available individually

Plastic case

Brown & Sharpe Steel Balls



mm



Steel ball set



mm

1 ÷ 25



Step mm

1



Pieces/
Nominal size

2



Total pieces

50

06769009