

INTERAPID Measuring Stands



Supports

N° 01639035
 black burnished steel column with a 8 mm dia. clamping bore.

N° 01639029
 Chrome-plated column with thread and setting ring for height adjustable measuring arm. 8 mm dia. clamping bore. Measuring face with dust grooves.

N° 01639030
 Chrome-plated steel column. Tilting measuring arm with articulation. 4 or 8 mm dia. bore for a dovetail clamp or lug.

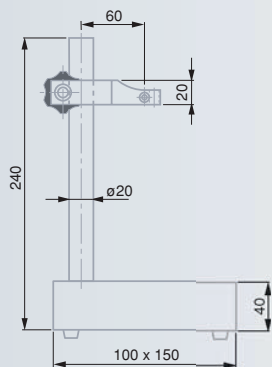
N° 01639033
 Chrome-plated steel column. Sliding measuring arm, horizontally. 4 or 8 mm dia. bore for a dovetail clamp or lug.

3 µm as per DIN 876 T1, grade 00.

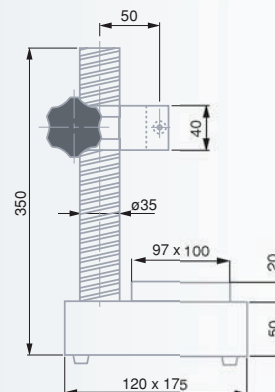
Supplied without indicator

Suited carrying case

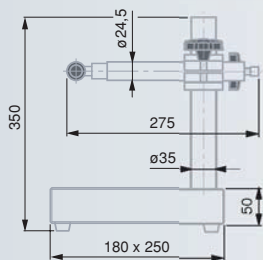
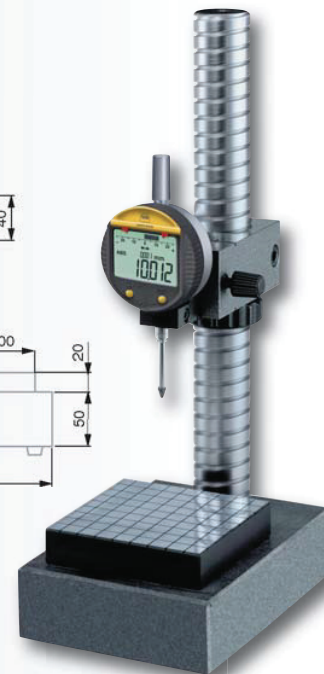
Declaration of conformity



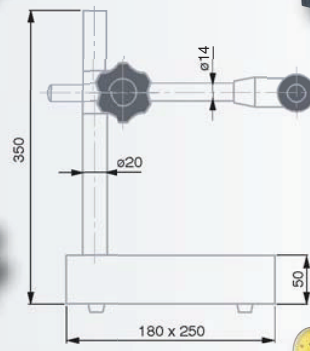
01639035



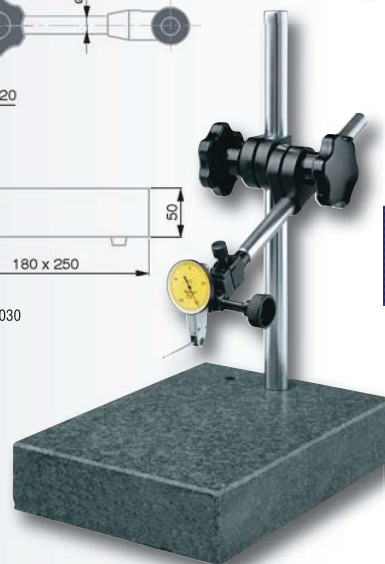
01639029



01639033



01639030



	Measuring face	Measuring face mm	mm	Fine adjustment	Span mm
01639035	Granite	100 x 115	0 ÷ 170	—	50
01639029	Steel, hardened	100 x 100	0 ÷ 225	●	68,5
01639030	Granite	180 x 205	0 ÷ 240	●	adjustable
01639033	Granite	180 x 200	0 ÷ 260	●	adjustable
	Measuring table mm	Column mm	Column mm	kg	
01639035	Granite	100 x 150 x 40	20	200	2,6
01639029	Granite	120 x 175 x 50	35	300	8,1
01639030	Granite	180 x 250 x 50	20	300	8,4
01639033	Granite	180 x 250 x 50	35	300	10,5