

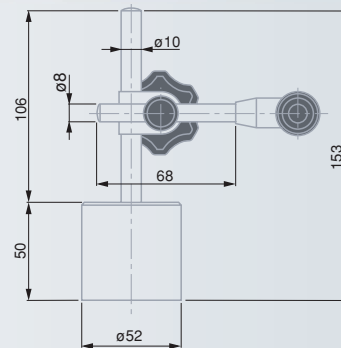
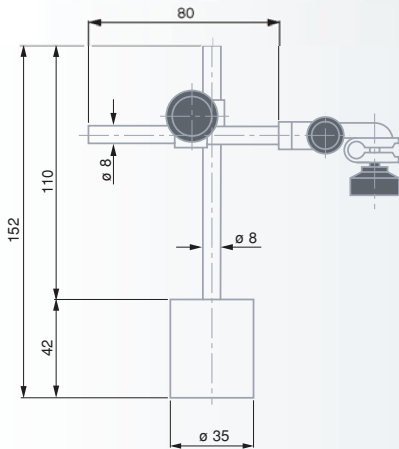
INTERAPID Small Magnetic Supports

Ideal for dial test indicators (lever-type) or dial gauges having a 40 mm dial diameter – Versatile due to 2 rigid joints and fine adjust option.

UJ 15 Model



UJ 15G Model



Rounded base with permanent magnet



Holding force on a flat surface:
≈ 220 N for UJ 15
≈ 350 N for UJ 15G



0.47 kg for UJ 15
0.93 kg for UJ 15G



Supplied without indicator



Suited carrying case



Declaration of conformity

Steel Base Plate



50 x 80 x 20 mm



0.60 kg



01639007

INTERAPID small magnetic support UJ15 with a 8 mm diameter clamping bore and dovetail clamp

01639016

INTERAPID small magnetic support UJ15G with both a 8 mm and 4 mm diameter clamping bore and dovetail clamp

Accessory

01640501

Steel base plate for use of UJ 15 as mobile support