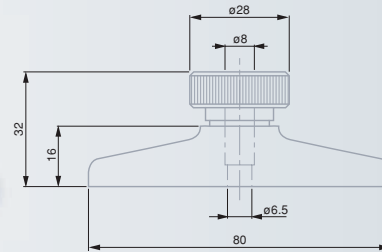
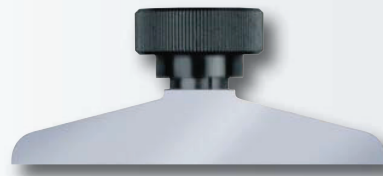


INTERAPID Depth Feet

Model with a flat measuring face



01639046	80 x 16	$\phi 8$



Hardened steel

Finish lapped measuring faces. Clamp with lock for mounting a dial gauge or an electronic probe

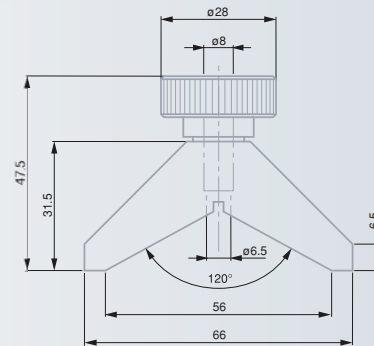
Supplied without indicator

Suited carrying case

Declaration of conformity

Model with a prismatic measuring face

For measuring groove depth on cylindrical shafts. Also for establishing circularity errors etc.



01639047	10 ÷ 100	120° 16	$\phi 8$

Brown & Sharpe CENTER FINDER

Practical auxiliary support that helps Users to quickly align the centre of the bores against the spindle axis on a machine tool – Used without clamping shaft can also serve as small magnetic support – Designed for clamping a dial test indicator whether standard or perpendicular.



06769006	Brown & Sharpe CENTER FINDER



Center Finder includes the following components:

- cylindrical shank that can be clamped on the chuck of a machine tool.
- powerful permanent magnets.
- swivel joint along with a dovetail collar for clamping a lever-type dial test indicator.

Wooden case