

ACCESSOIRES

The TESA height gauges are compatible with a wide range of accessories which allowing the instrument to be customised to meet your real needs.

Panels, printer & masterpiece

Panel for MICRO-HITE	00760233	-
Panel for MICRO-HITE+M	00760234	-
USB Printer	00760235	-
Setting piece	00760236	12,7 mm / .5 in



00760233



00760234



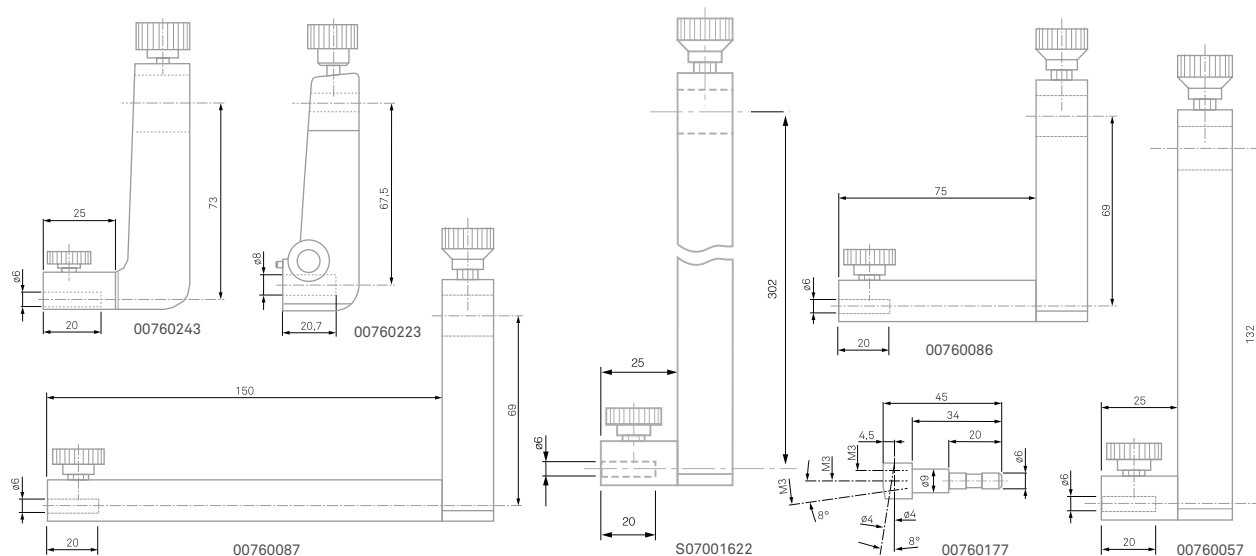
00760235



00760236

Probe holders

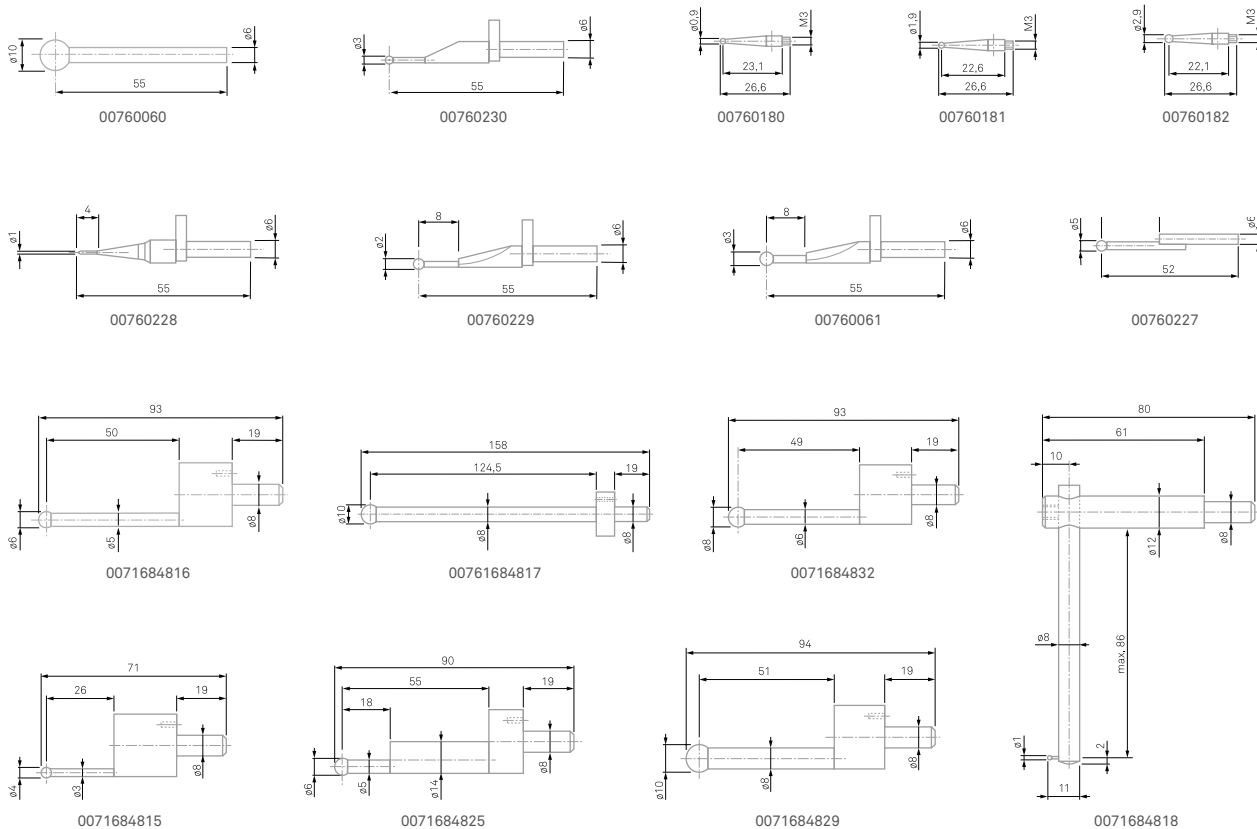
Ø 6 mm standard probe holder	00760243	-
Ø 6 mm probe holder	00760086	For depth up to 110 mm
Ø 6 mm probe holder	00760087	For depth up to 185 mm
Ø 6 mm probe holder	00760057	Extend the scope of the application
Ø 6 mm probe holder	S07001622	Extend the scope of the application
Ø 8 mm probe holder	00760223	-
Adapter for M3 probe and shaft	00760177	-
Adapter for M1,4 and M2,5 probes	00760096	3 x M1,4 + 2 x M2,5



Ball probes

The ball probes are the easiest and most often used in combination with the height gauges which are furthermore delivered as standard with a probe of this type. Because of its form, these accessories are suitable for the majority of probing applications.

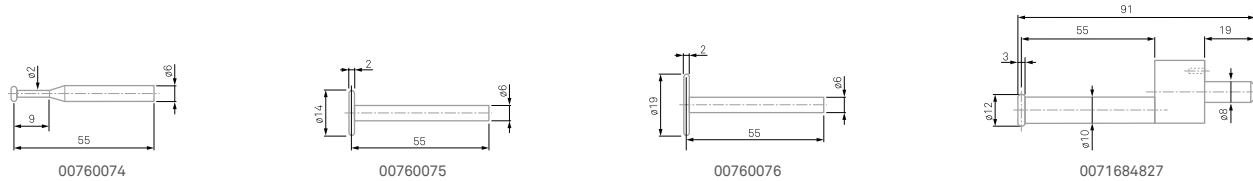
Ø 0,9 mm ball probe	00760180	M3 fixation	Hardened steel ball tip
Ø 1,9 mm ball probe	00760181	M3 fixation	Hardened steel ball tip
Ø 2,9 mm ball probe	00760182	M3 fixation	Hardened steel ball tip
Ø 1 mm ball probe	00760228	Ø 6 mm fixation	Shank and ball tip in hard metal
Ø 2 mm ball probe	00760229	Ø 6 mm fixation	Shank and ball tip in hard metal
Ø 3 mm ball probe	00760230	Ø 6 mm fixation	Shank and ball tip in hard metal
Ø 3 mm ball probe	00760061	Ø 6 mm fixation	Ball tip in hard metal
Ø 5 mm ball probe	00760227	Ø 6 mm fixation	Shank and ball tip in hard metal
Ø 10 mm ball probe	00760060	Ø 6 mm fixation	Ball tip in hard metal
Ø 1 mm ball probe	0071684818	Ø 8 mm fixation	Adjustable shank for depth measurement
Ø 4 mm ball probe	0071684815	Ø 8 mm fixation	Ball tip in hard metal
Ø 6 mm ball probe	0071684825	Ø 8 mm fixation	Ball tip in hard metal
Ø 6 mm ball probe	0071684816	Ø 8 mm fixation	Ball tip in hard metal
Ø 8 mm ball probe	0071684832	Ø 8 mm fixation	Ball tip in hard metal
Ø 10 mm ball probe	0071684817	Ø 8 mm fixation	Ball tip in hard metal
Ø 10 mm ball probe	0071684829	Ø 8 mm fixation	Ball tip in hard metal



Disc probes

These probes have the form of a disc with a variable thickness and diameter, allowing the probing of centring shoulders and grooves. These accessories are often used in internal bore measurements because they are a good replacement when the star-formed probes cannot be used.

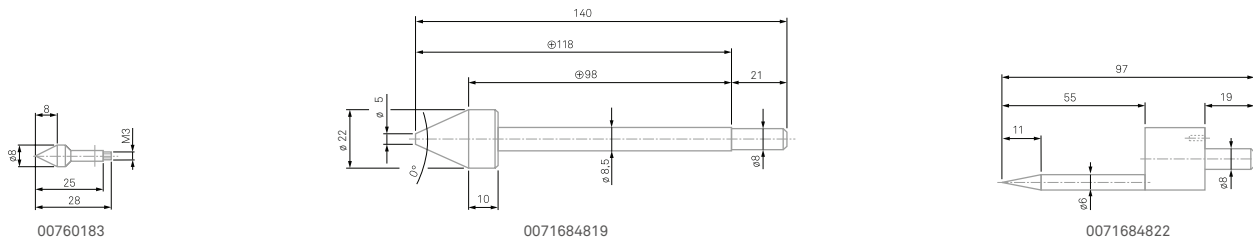
Disc probe \varnothing 4,5 mm	00760074	\varnothing 6 mm fixation, hard metal disc
Disc probe \varnothing 14 mm	00760075	\varnothing 6 mm fixation, hard metal disc
Disc probe \varnothing 19 mm	00760076	\varnothing 6 mm fixation, hard metal disc
Disc probe \varnothing 12 mm	0071684827	\varnothing 8 mm fixation



Cone probes

Cone probes are mainly used to determine the location of a bore since their form allows a quick positioning at the centre of these elements.

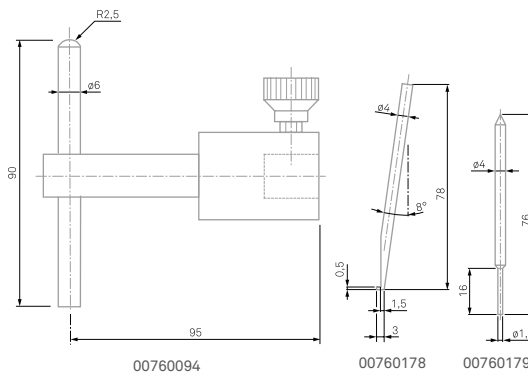
Cone probe \varnothing 8 mm	00760183	M3 fixation, hardened steel
Cone probe \varnothing 6 mm	0071684822	\varnothing 8 mm fixation, hardened steel
Cone probe \varnothing 22 mm	0071684819	\varnothing 8 mm fixation, hardened steel



Shaft probes

The shaft probes are mainly used to measure grooves, centring shoulders, blind bores, ...

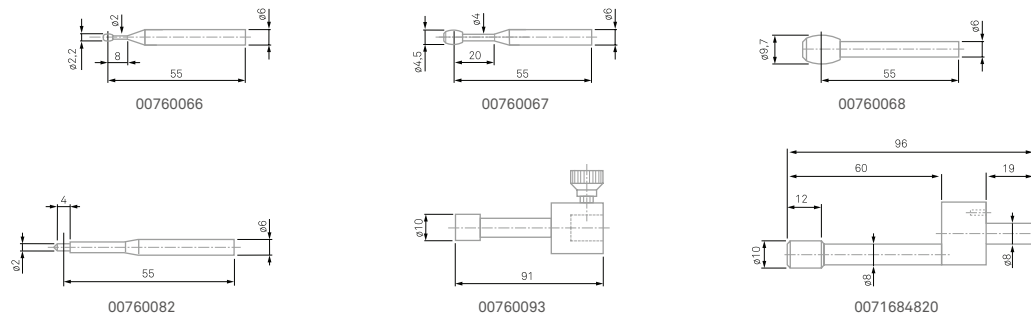
Probe inserts with a shank	00760094	hardened steel
Rod, angle 8°	00760178	hardened steel
Cylindrical rod	00760179	hard metal



Cylindrical or barrel probes

The cylinder-shaped probes are often used to measure elements that cannot or hardly not easily be measured with a simple ball probe. In some instances, the contact between the accessory and the part to be measured cannot be guaranteed when the tip of the accessory is a ball. They are also used for the measurement of threads and often for the determination of the centre of tapped bores.

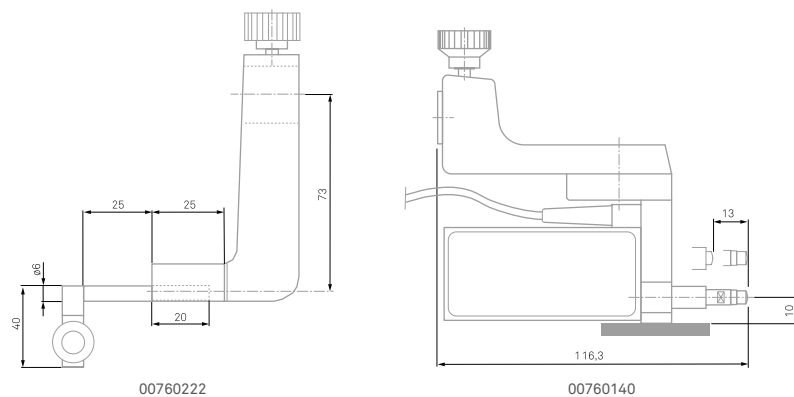
Barrel-shaped probe \varnothing 2,2 mm	00760066	\varnothing 6 mm fixation, hard metal measuring faces
Barrel-shaped probe \varnothing 4,5 mm	00760067	\varnothing 6 mm fixation, hard metal measuring faces
Barrel-shaped probe \varnothing 9,7 mm	00760068	\varnothing 6 mm fixation, hard metal measuring faces
Cylinder-shaped probe \varnothing 2 mm	00760082	\varnothing 6 mm fixation, hard metal measuring faces
Cylinder-shaped probe \varnothing 10 mm	00760093	Hardened steel housing, hard metal measuring faces
Cylinder-shaped probe \varnothing 10 mm	0071684820	\varnothing 8 mm fixation, steel



Accessories for squareness measurement

In addition to the standard measuring modes, the manual and motorized models of the MICRO-HITE range have been specially developed to allow the determination of perpendicularity or straightness errors. The measurements can be realized in two directions, as these gauges are the only ones on the market allowing this measurement as well frontally as laterally.

Probe holder for a dial test indicator (lever-type)	00760222	–
IG13 probe	00760139	–
Attachment system for IG13	00760138	–
IG13 probe set	00760140	= 00760139 + 00760138
IG13/height gauge adapter	00760247	To use together with IG13 delivered before 2017



SETS OF ACCESSORIES

		Kit 1 8 éléments 00760232	Kit 2 8 éléments 00760173	Kit 3 17 éléments 00760148	Kit 2 9 éléments 00760175	
Composed of						
Probe holders	00760057	Ø 6 mm probe holder to extend the application range		●		
	00760086	Ø 6 mm probe holder for depth up to 110 mm		●		
	00760087	Ø 6 mm probe holder for depth up to 185 mm		●		
	00760177	Adapter for M3 probes			●	
Probes	00760060	Ø 10 mm ball probe, Ø 6 mm fixation		●	●	
	00760061	●	●	●		
	00760066	Ø 2,2 mm barrel-shaped probe, Ø 6 mm fixation		●		
	00760067	Ø 4,5 mm barrel-shaped probe, Ø 6 mm fixation		●		
	00760068	Ø 9,7 mm barrel-shaped probe, Ø 6 mm fixation		●		
	00760074	Ø 4,5 mm disc probe, Ø 6 mm fixation		●		
	00760075	●	●	●		
	00760076	Ø 19 mm disc probe, Ø 6 mm fixation		●		
	00760082	●		●		
	00760093	Ø 10 mm cylinder-shaped probe		●	●	
	00760094	●	●	●		
	00760180	Ø 0,9 mm ball probe, M3 fixation			●	
	00760181	Ø 1,9 mm ball probe, M3 fixation			●	
	00760182	Ø 2,9 mm ball probe, M3 fixation			●	
	00760183	Ø 8 mm cone probe, M3 fixation			●	
	00760228	Ø 1 mm ball probe, Ø 6 mm fixation		●	●	
	00760229	Ø 2 mm ball probe, Ø 6 mm fixation		●	●	
	00760230	Ø 3 mm ball probe, Ø 6 mm fixation		●	●	
	Extensions	00760184	Extension M3, L 20 mm			●
		00760185	Extension M3-M2,5, L 20 mm			●
Shaft probes	00760178	Steel rod, angle 8°			●	
	00760179	Hard metal cylindrical rod			●	

OTHER ACCESSORIES

	Thermal Paper for USB Printer	00760250	Pack of 4 rolls
Data Management	TESA DATA-DIRECT software	04981001	For data formatting
	TESA STAT-EXPRESS software	04981002	SPC software
	Sub-D 9p/m to USB cable	04761063	-
	TLC-USB Cable	04760181	-
	Sub-D 9p/m to Sub-D 9p/f cable	04761052	-
Cleaning and protection	Dust cover, 350 mm	00760151	-
	Dust cover, 600 mm	00760152	-
	Dust cover, 900 mm	00760153	-
	Cleaning liquid	00760249	For granite table
Electric power supply	Battery block	00760244	Rechargeable, interchangeable
	Battery recharging station	00760245	For 00760244 battery
	Charger	00760251	-
	Charger cable	04761055	for Europe
	Charger cable	04761056	for USA
Others	Fine adjustment kit	00760246	For manual MICRO-HITE
	Practice part	00760124	-

