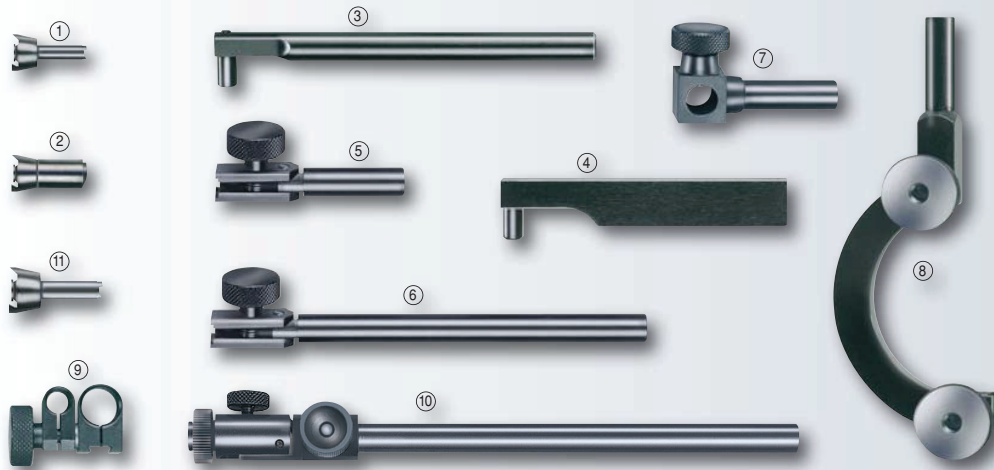


TESATAST Accessories



			mm
01840104	①	Mounting rod with dovetail clamp	Ø 4
01840105	②	Mounting rod with dovetail clamp	Ø 8
01840202	③	Mounting rod with cylindrical body and clamping tenon	Ø 8 x 80 Ø 5,6
01840203	④	Mounting rod with right-angle body and clamping tenon	13 x 6 x 50 Ø 5,6
01840404	⑤	Short swivel holder with mounting rod and dovetail clamp	Ø 8 x 25
01840405	⑥	Long swivel holder with mounting rod and dovetail clamp	Ø 8 x 90
01840406	⑦	Angle holder with mounting rod Clamping bore	Ø 8 x 25 Ø 8
01840501	⑧	Centring shoulder for TESATAST Perpendicular with cylindrical rod Clamping point for mounting rod and dovetail clamp	Ø 8 x 25 Ø 4
01860401	⑨	Dovetail clamp with tightening point	Ø 5,6 Ø 9,5
01840407	⑩	Long swivel holder with cylindrical rod and dovetail clamp as well as fine setting device	Ø 8 x 125
01860008	⑪	Mounting rod with dovetail clamp	Ø 6

Sets of Accessories

Consisting of the following components:

	mm	01840104	01840105	01840202	01840203	01840404	01840405	01840406	01840501	01860401
01840001*	N° 1	●	●							
01840100**	N° 2			●	●	●	●	●		●
01840703***	N° 3			●	●	●	●	●	●	●

* Supplied with one single insert No. 01860201, 01860202 and 01860203, one wrench No. 01860307 as well as a suited case No. 01860308.

** Supplied in a suited case No. 01860608.

*** Supplied in a suited case No. 01860702.