

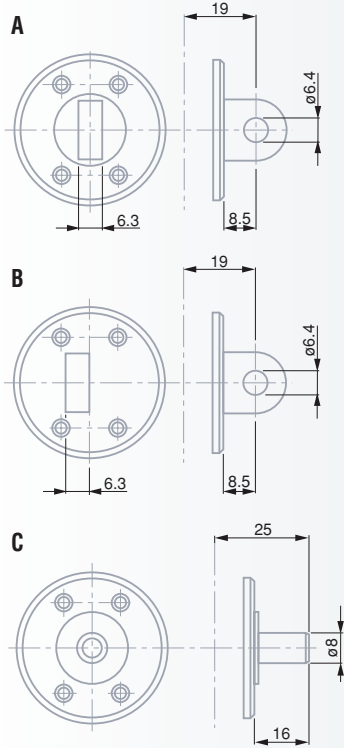
Backs for dial gauges

**TESA YR, TESA YE, MERCER, COMPAC,
40, 58 or 82 mm dial diameter**
DIGICO 205-705, 58 mm dial diameter



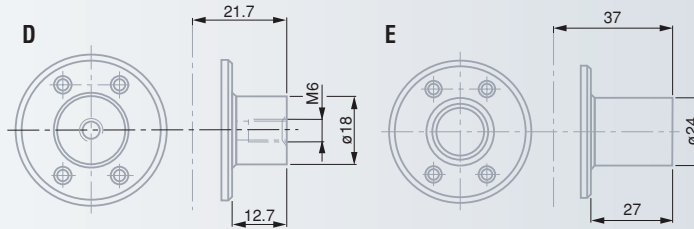
Dull-chrome plated, except for models
No. 01460010, 01460011, 01460016 and 01460017

Holding force = 150 N



Executions for dial gauges with a 40 mm dial diameter

No.	Symbol	Description
01460008		Back with central lug
01460009		Back with offset lug
01460010		Back with a 8 mm dia. fixing shank
01460011		Back with M6 inner thread
01460012		Back with permanent magnet



Executions for dial gauges with a 58 or 82 mm dial diameter

No.	Symbol	Description
01460013		Flat back
01460014		Flat back with central lug
01460015		Flat back with offset lug
01460016		Back with a 8 mm dia. fixing shank
01460017		Back with a M6 inner thread
01460018		Back with 4 clamping bores as per CNOMO French standard
01460019		Back with permanent magnet

