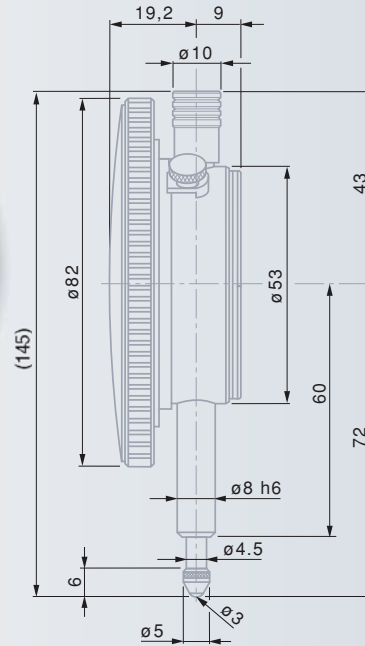


# Precision Dial Gauges

0,001 mm dial readout / 82 mm dial diameter



- ✓
- EN ISO 463 Factory standard
- 0,001 mm
- 2,3 mm
- Rotating dial. With or without dial lock.
- Full-metal dial casing. Stainless steel fixing shank and plunger, hardened.
- High performance shockproof system in both directions
- Adjustable tolerance marks. M2,5 mounting thread for the measuring insert.
- 3 mm dia. ball tip, already mounted
- Cardboard box
- Identification number
- Inspection report with a declaration of conformity



TESA dial gauges

01410810	YR	0,001	1	3,3	●	●	0,1	0 ÷ 50 ÷ 100
01410811	YR	0,001	1	3,3	●	●	0,1	0 ÷ 50 ÷ 0

COMPAC dial gauge

556G		0,001	5	5,3	●	–	0,2	0 ÷ 10 ÷ 20
------	--	-------	---	-----	---	---	-----	-------------

Permissible limits of a metrological characteristic (MPE/MPL)

Deviation span	4 µm	12 µm
Deviation span within the local measuring span 0,10 mm	4 µm	–
Total deviation span	5 µm	14 µm
Repeatability limit	1 µm	2 µm
Max. hysteresis	1 µm	2 µm
Measuring force	≤ 1,7 N	≤ 1,5 N