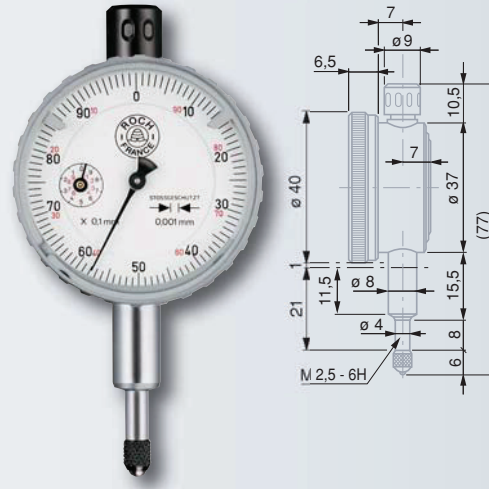
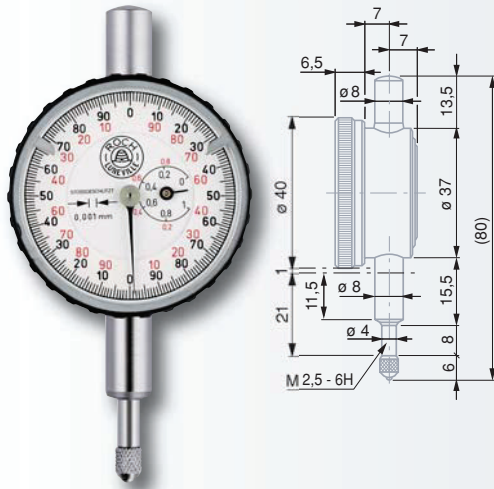


# Precision Dial Gauges

0,001 mm dial reading / 40 mm dial diameter



mm  
 mm  
 mm  
 mm  
 mm  
 mm  
 mm  
 N

ROCH dial gauges

0141761261	0,001	1	1,1	●	0,2	0 ÷ 100/0 ÷ 100*	≤ 1,5
0141761262	0,001	1	1,1	●	0,1	0 ÷ 50 ÷ 100*	≤ 1,2

\* With extra red tinted reverse numbering.

### Maximum permissible errors for a metrological characteristic (MPE)

	0,001 mm	1 mm
	Deviation span	5 µm
	Deviation span within the local measuring span of 0,01 mm	3 µm
	Total deviation span	7 µm
	Repeatability limit	3 µm
	Max. hysteresis max.	3 µm

- ✓
- EN ISO 463  
Factory standard
- 0,001 mm
- 1,1 mm (0141761261)  
2,2 mm (0141761262)
- Rotating dial
- Full-metal dial casing. Stainless steel fixing shank and plunger, hardened.
- With shockproof mechanism
- Adjustable tolerance marks. M2,5 mounting thread for the measuring insert.
- See table opposite
- Mounted insert with a 3,175 mm dia. steel ball tip
- Suited plastic case
- Identification number
- Declaration of conformity