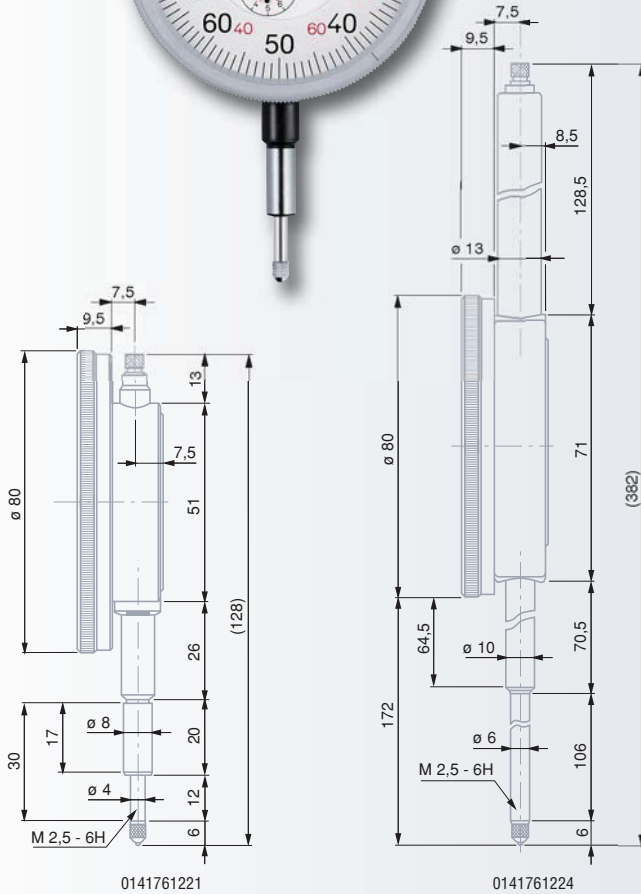


Precision Dial Gauges

0,01 mm dial readout / 80 mm dial diameter



- ✓
- EN ISO 463 Factory standard
- 0,01 mm
- 2,2 mm
- Rotating dial
- Full-metal dial casing. Stainless steel fixing shank and plunger, hardened.
- With or without shockproof mechanism
- Adjustable tolerance marks. M2,5 mounting thread for the measuring insert.
- See in the table opposite
- Mounted insert with a 3,175 mm dia. steel ball tip
- Cardboard box
- Identification number
- Declaration of conformity



ROCH dial gauges

0141761221	0,01	10	10,4	-	1	0 ÷ 50 ÷ 100*	≤ 1,4
0141761224	0,01	100	100,5	-	1	0 ÷ 50 ÷ 100	≤ 3,5

* With extra red tinted reverse numbering.

Maximum permissible errors for a metrological characteristic (MPE)

Deviation span	15 µm	35 µm
Deviation span within the local measuring span of 0,1 mm	5 µm	8 µm
Total deviation span	19 µm	-
Repeatability limit	3 µm	8 µm
Max. hysteresis	3 µm	-