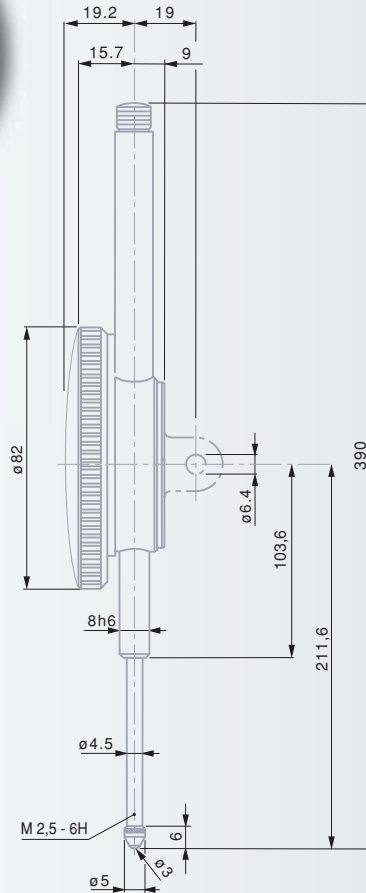
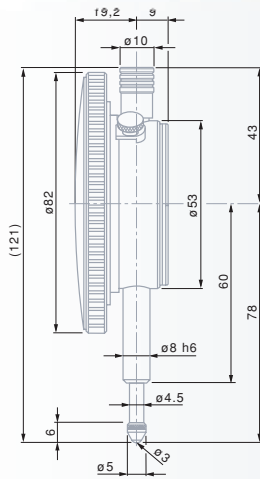


Precision Dial Gauges

0,01 mm dial readout / 82 mm dial diameter



EN ISO 463
Factory standard

0,01 mm

2,3 mm

Rotating dial with or without dial lock

Full-metal dial casing. Stainless steel fixing shank and plunger, hardened.

High performance shock proof system in both directions

Adjustable tolerance marks. M2,5 mounting thread for the measuring insert.

3 mm dia. ball tip, already mounted

Cardboard box

Identification number

Inspection report with a declaration of conformity



mm

mm

mm

mm

TESA dial gauge with dial lock

01410910 YR 0,01 10 10,5 ● 0,1 0 ÷ 50 ÷ 100

TESA dial gauge with a long range

01412014 YE 0,01 100 100,5 ● 1 0 ÷ 50 ÷ 100

Permissible limits of a metrological characteristic (MPE/MPL)

	10 mm	100 mm
Deviation span	15 µm	30 µm
Deviation span within the local measuring span 0,10 mm	8 µm	–
Total deviation span	17 µm	35 µm
	3 µm	3 µm
Repeatability limit	3 µm	3 µm
	3 µm	8 µm
Max. hysteresis	3 µm	8 µm
	≤ 1,4 N	≤ 3,2 N
Measuring force	≤ 1,4 N	≤ 3,2 N