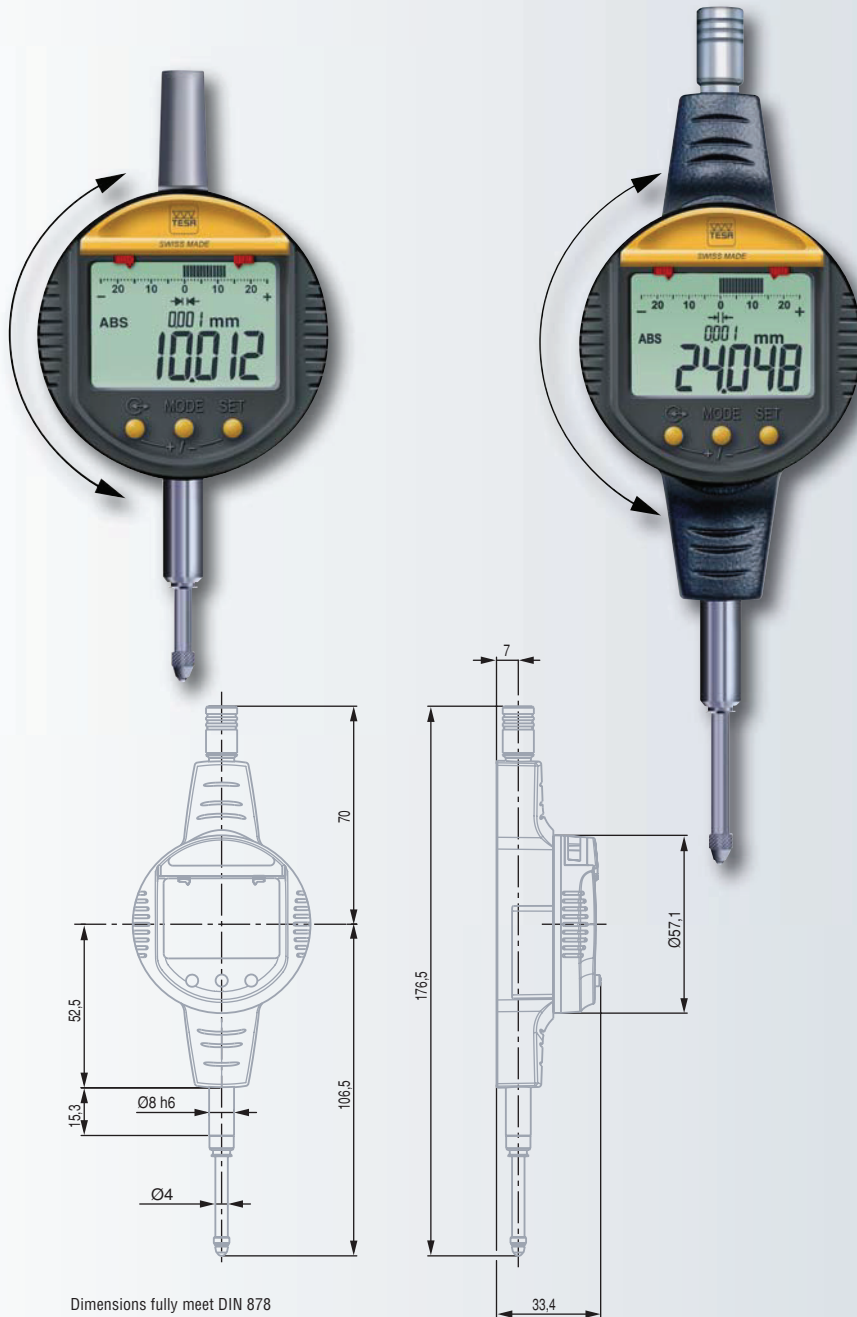


# TESA DIGICO 600

- Measuring modes **ABS/REL**.
- Dual LC Display.
- Display rotation through 270°. Same goes for the key functions.
- Mechanical tolerance marks.
- Symbols for both limit values.

Measuring functions and modes

- ON – Auto OFF – PRESET mode – Tolerance mode – Value storage mode
- Max • Min • Max-Min (TIR) – Data output – Counting sense reversal – Keypad lock – Metric/Inch units – Full RESET.



- ✓
- Combined analogue and numerical display
- 6-decade LC display field plus minus sign
- 10 x 5 mm Digit size (H x L)
- Resolution to 0,01 mm = ±0,25 mm  
Resolution to 0,001 mm = ±0,025 mm
- MI or MIE type with metric/inch conversion
- Glass scale with incremental divisions, capacitive
- ≤ 2 m/s
- Full-metal housing with front face in polyamide.  
Stainless steel plunger.  
M2,5 mounting thread for the measuring insert.
- RS232, opto-coupled
- 3V lithium battery, type CR2032
- 1 year to 2 years
- 10°C to 40°C
- 10°C to 60°C
- 80%
- EN 50081-1  
EN 50082-1
- Shipping case including a lithium battery 01961000
- Identification number
- Inspection report with a declaration of conformity

TESA DIGICO 600			mm / in	mm / in	µm	µm	N	g
01930256	Digico 605 MI	12,5 / 0.5	0,001 / 0.00005	4	2	< 2	150	
01930257	Digico 610 MI	25 / 1	0,001 / 0.00005	5	2	< 2	162	