

# TESA DIGICO 205 and 305

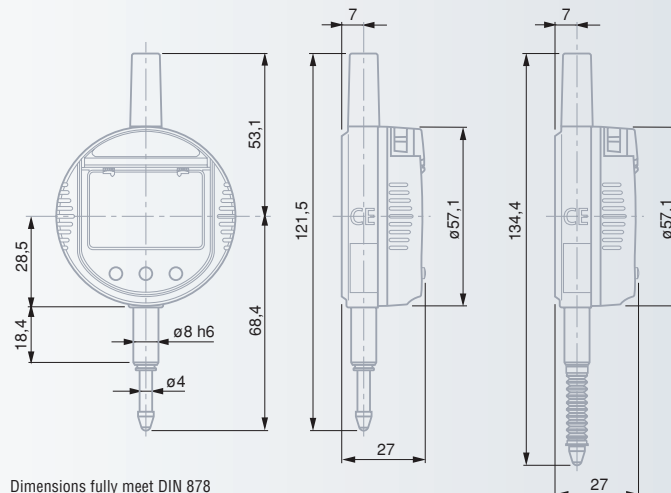
- Dual LC Display.
- Mechanical tolerance marks.
- Dimensions according to DIN 878.

Main functions

ON/Auto OFF – Data output – Counting sense reversal – Keypad lock.



<i>TESA DIGICO 205</i>						
<b>01910230</b>	DIGICO 205 M		12,5 / -	0,01 / -	20	10
<b>01930230</b>	DIGICO 205 MI		12,5 / 0.5	0,01 / 0.0005	20	10
<i>TESA DIGICO 305</i>						
<b>01910231</b>	DIGICO 305 M		12,5 / -	0,001 / -	8	2
<b>01930231</b>	DIGICO 305 MI		12,5 / 0.5	0,001 / 0.00005	8	2
<i>TESA DIGICO 305 IP54</i>						
<b>01930232</b>	DIGICO 305 MIE		12,5 / 0.5	0,001 / 0.00005	8	2



Dimensions fully meet DIN 878

- ✓
- Combined analogue and numerical display
- 6-decade LC display field plus minus sign
- 10 x 5 mm Digit size (H x L)
- Resolution to 0.01 mm = ±0,25 mm  
Resolution to 0,001 mm = ±0,025 mm
- MI or MIE type: metric/inch conversion
- Glass scale with incremental divisions, capacitive
- ≤ 2 m/s
- Full-metal housing with front face in polyamide.  
Stainless steel plunger.  
M2,5 mounting thread for the measuring insert.
- ≤ 2 N
- RS232, opto-coupled
- 3V lithium battery, type CR2032
- 1 year to 2 years
- 10°C to 40°C
- 10°C to 60°C
- 80%
- EN 50081-1  
EN 50082-1
- 150 g
- Shipping case including a lithium battery 01961000
- Identification number
- Inspection report with a declaration of conformity