



LCD,  
5 digits + sign

6 mm  
digit height

Zero-setting  
of display

4  $\mu$ m

2  $\mu$ m

0,4 to 0,75 N  
( $\pm 0,15$  N)

Max. 2 m/s

Number of  
measurements  
per second: 9

Working tempera-  
ture range:  
+5°C to +40°C

3V lithium  
battery,  
type CR 2032

Battery life  
> 4000 hours

RS232

70 g

EN 61326-1

IP65 (IEC 529)

1 lithium battery,  
type CR 2032.

Order number:  
01961000.

Identification  
number

Inspection report  
with a declaration  
of conformity

## TESA DIGICO 12 – HP

- High-precision measuring system.
- Water and coolant resistant (IP65).
- Combined analogue/digital display.
- Analogue readout from  $\pm 0,025$  to  $\pm 1,25$  mm.
- NOR/MIN/MAX/MAX-MIN measuring modes.
- 44 mm dial casing diameter.
- RS232 data output, combined with external power supply.
- Inductive measuring system, patented.
- Zero-setting of display.
- Direct conversion of the metric/inch units.
- Automatic shut down. Can also be locked.



mm/in

mm

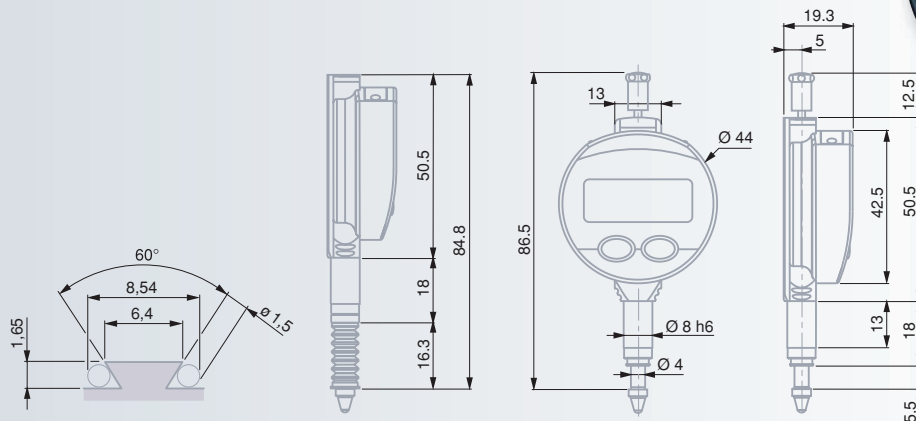
in

*IP65 indicator HP with electronic module protected against the penetration of liquids*

**01930134** 5/0.210 0,001 / 0,01 0.00005 / 0.0005 IP65

*IP65 indicator HP with mechanics and electronics protected against the penetration of liquids*

**01930135** 5/0.210 0,001 / 0,01 0.00005 / 0.0005 IP65



### Accessories



**03238013** Clamping lug

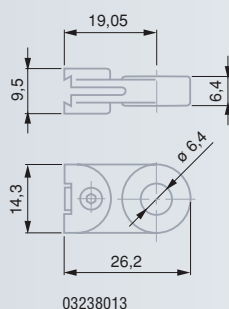
**01961012** Upper lift lever

**01960005** Lower lift lever

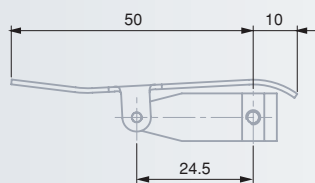
**04761060** RS232 connecting cable along with external power supply

**01961000** 3 V lithium battery, type CR 2032, 190 mAh

For information on connecting cables, refer to chapter A



03238013



01961012