

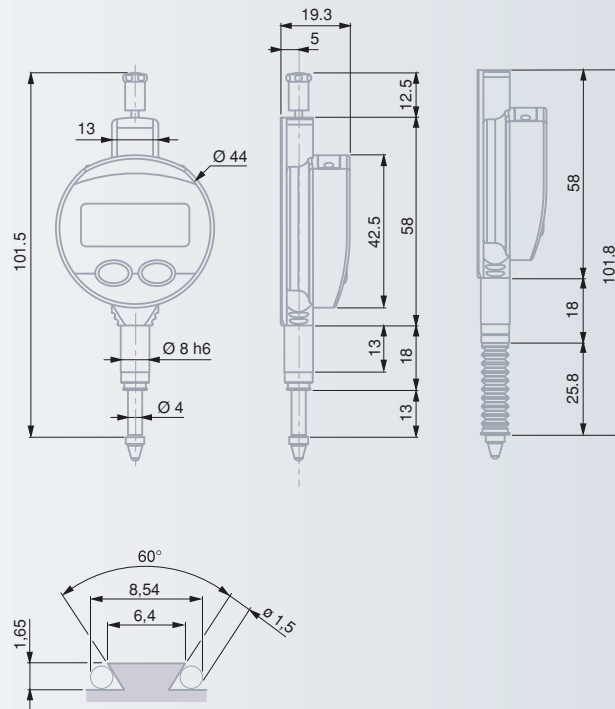
TESA DIGICO 12

Made to measure in extreme workshop conditions – Water and coolant resistant (IP65) – 44 mm dial diameter – Lets you take advantage of the mechanics combined with digital reading.



TESA DIGICO 12 – Standard

- 44 mm dial casing diameter.
- Water and coolant resistant (IP65).
- RS 232 SIMPLEX data output combined with external power supply.
- Inductive measuring system, patented.
- Choice between absolute («ABS») and relative («REL») measuring modes.
- Numerical display.
- Possible setting of PRESET value to ± 130 mm.
- Inverse measuring direction.
- Direct conversion of the metric/inch units.
- Automatic shut down.



- ✓
- 5-digit LC display + sign
- 6 mm digit height
- Zero-setting of display
- 20 µm
- 5 µm
- 0,5 to 0,9 N ($\pm 0,15$ N)
- Max. 2 m/s
- Number of measurements per second: 7
- Working temperature range: +5°C to +40°C
- 3V lithium battery, type CR 2032
- Battery life > 3500 hours
- RS232
- 70 g
- EN 61326-1
- IP65 (IEC 529)
- Shipping case including 1 lithium battery, type CR 2032 (order No. 01961000).
- Identification number
- Declaration of conformity
- Models 0,01 mm with report.
- Models 0,001 mm without report.

|--|--|--|--|--|

IP65 indicators with electronic module protected against the penetration of liquids

01930130 12,5/0.5 0,01 0.0005 IP65

01930132 12,5/0.5 0,001 / 0,01 0.00005 / 0.0005 IP65

IP65 indicators with mechanics and electronics protected against the penetration of liquids

01930131 12,5/0.5 0,01 0.0005 IP65

01930133 12,5/0.5 0,001 / 0,01 0.00005 / 0.0005 IP65