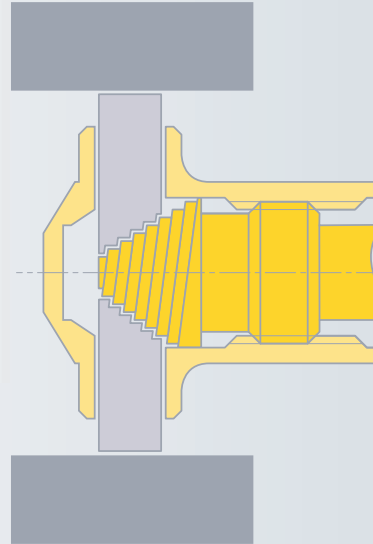
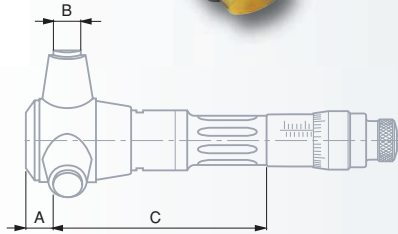
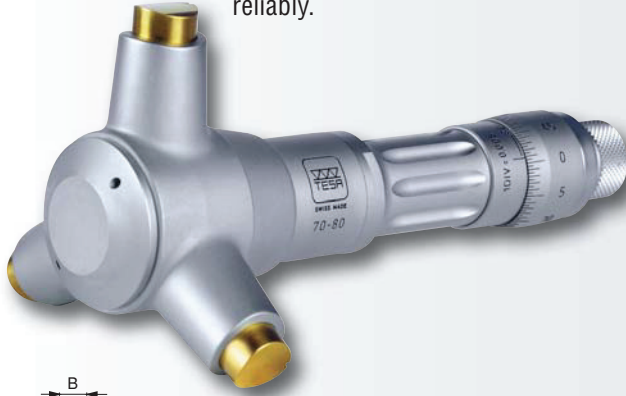


# TESA IMICRO with Analogue Indication – Metric

Self-centring and self-aligning internal micrometers. The high-precision thread machined into the measuring cone, combined with the measuring bolts specially arranged to provide 3-line contact, make them the only micrometers in the world that respect the ABBE principle. Measure depth, reliably.



DIN 863 T4  
(Style C1)  
NF E 11-099



Measuring faces for application ranges from  
3,5 to 12 mm:  
hardened steel (HV30 770)  
11 to 100 mm:  
TiN hard-coating (HV5 2300)  
100 to 300 mm:  
carbide tipped (HV5 1300)



Application ranges from  
3,5 to 200 mm  
in a shipping box  
200 to 300 mm in a wooden case with 1 extension of 150 mm (No. 00842600)



Identification number  
Inspection report with a declaration of conformity

No						A mm	B mm	C mm
00813410	3,5 ÷ 4	0,001	4	4		2	1,5	20
00813411	4 ÷ 4,5	0,001	4	4		2	1,5	20
00813412	4,5 ÷ 5,5	0,001	4	4		2	1,5	25
00813413	5,5 ÷ 6,5	0,001	4	4		2	1,5	25
00810001	6 ÷ 8	0,001	4	4		2,5	2,5	52
00810002	8 ÷ 10	0,001	4	4		2,5	2,5	52
00810003	10 ÷ 12	0,001	4	4		2,5	2,5	52
00810801	11 ÷ 14	0,005	4	4		3,5	4	77
00810802	14 ÷ 17	0,005	4	4		3,5	4	77
00810803	17 ÷ 20	0,005	4	4		3,5	4	77
00811501	20 ÷ 25	0,005	4	4		7	7	78
00811502	25 ÷ 30	0,005	4	4		7	7	78
00811503	30 ÷ 35	0,005	4	4		7	7	78
00811504	35 ÷ 40	0,005	4	4		7	7	78
00812301	40 ÷ 50	0,005	4	4		11	12	84
00812302	50 ÷ 60	0,005	5	5		11	12	84
00812303	60 ÷ 70	0,005	5	5		11	12	84
00812304	70 ÷ 80	0,005	5	5		11	12	84
00812305	80 ÷ 90	0,005	5	5		11	12	84
00812306	90 ÷ 100	0,005	5	5		11	12	84
00812601	100 ÷ 125	0,01	6	6		26	18	81
00812602	125 ÷ 150	0,01	6	6		26	18	81
00812603	150 ÷ 175	0,01	7	7		26	18	81
00812604	175 ÷ 200	0,01	7	7		26	18	81
00813101	200 ÷ 225	0,01	8	8		26	18	81
00813102	225 ÷ 250	0,01	8	8		26	18	81
00813103	250 ÷ 275	0,01	8	8		26	18	81
00813104	275 ÷ 300	0,01	8	8		26	18	81