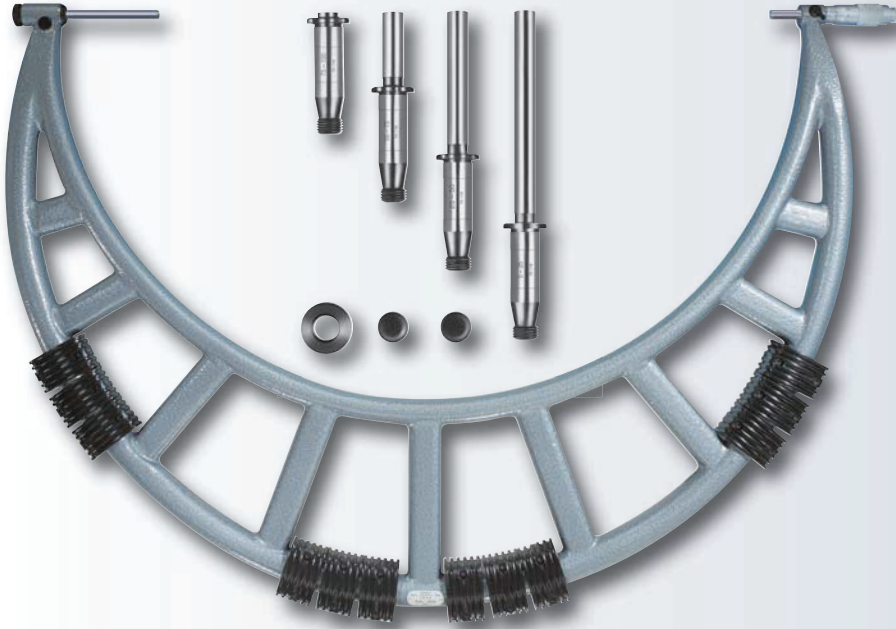


ISOMASTER AB with interchangeable Anvils

Lightweight, but rugged anvil micrometers. Set No. 00140101 includes 4 interchangeable anvils with increasing length in steps of 25 mm. Anvils are adjusted (and numbered) in pairs, thus rendering any correction of the indication unnecessary whenever an anvil is exchanged.

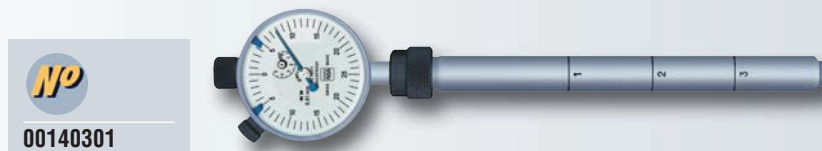


No			
	mm	μm	μm
00111901	0 ÷ 100	6	3
00111902	100 ÷ 200	7	4,5
00111903	200 ÷ 300	8	7
00111904	300 ÷ 400	9	9
00111905	400 ÷ 500	10	9
00111906	500 ÷ 600	11	9
00111907	600 ÷ 700	12	10
00111908	700 ÷ 800	13	12
00111909	800 ÷ 900	14	12
00111910	900 ÷ 1000	15	16

Measuring range up to 1500 mm also available upon request.

Dial Gauge Element for AB Series Micrometers

Can replace the interchangeable anvils on these micrometers. Make finding the culmination point easier. Ensures a constant measuring force. Supplied as standard accessory with the ABY series micrometers.



No
00140301

- ✓
- DIN 863 T3 (Style D16) NF E 11-090
- 0,01 mm
- 0 ≤ 500 mm: malleable cast iron; 500 ≤ 1000 mm: steel tube with insulating grips. Max. flexure of the frame under a measuring force of 10 N: see the table opposite
- Tungsten carbide tipped
- 8 mm dia.
- 0,5 mm
- Max. 10 N
- Wooden case
- Identification number
- Declaration of conformity

- ✓
- ± 1,5 mm
- 0,01 mm
- Tungsten carbide tipped
- 8 mm dia.
- Max. 10 N
- Meas. element: 11 mm dia., 100 mm long. Dial gauge No. 01410211: 40 mm dial diameter, two-way dial reading.
- Identification number
- With dial gauge and clamp
- Declaration of conformity