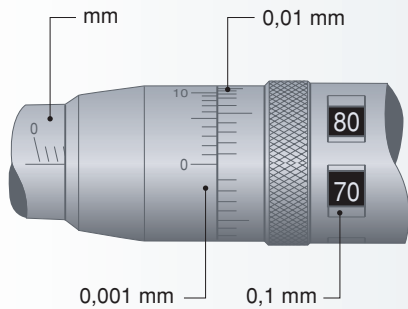


TESAMASTER Precision Micrometers with Digital Counter to 0,1 mm

Analogue indication of the full millimetres, hundredths and fractions of hundredth – Accurate, fast reading of the tenths of millimetres – Parallax-free reading of the thousandths of millimetres on vernier.



No	mm	µm	
		µm	µm
00310001	0 ÷ 25	2	1
00310002	25 ÷ 50	2	1,5
00310003	50 ÷ 75	3	1,5
00310004	75 ÷ 100	3	1,5
00310005	100 ÷ 125	4	2
00310006	125 ÷ 150	4	2,5
00310007	150 ÷ 175	5	3
00310008	175 ÷ 200	5	3
00310009	200 ÷ 225	6	3,5
00310010	225 ÷ 250	6	3,5

No	in	µm	
		µm	µm
00320001	0 ÷ 1	2	1

ETALON MICRORAPID 226 with 1 mm Revolution

High precision micrometers – Fast, accurate reading – No reading error of the half millimetres – Barrel with pitch to 1 mm – Thimble with 100 graduations – Vernier reading to 0,001 mm.



No	mm	µm	
		µm	µm
072116406	0 ÷ 25	2	1
072116407	25 ÷ 50	2	1,5
072116408	50 ÷ 75	3	1,5
072116409	75 ÷ 100	3	1,5

