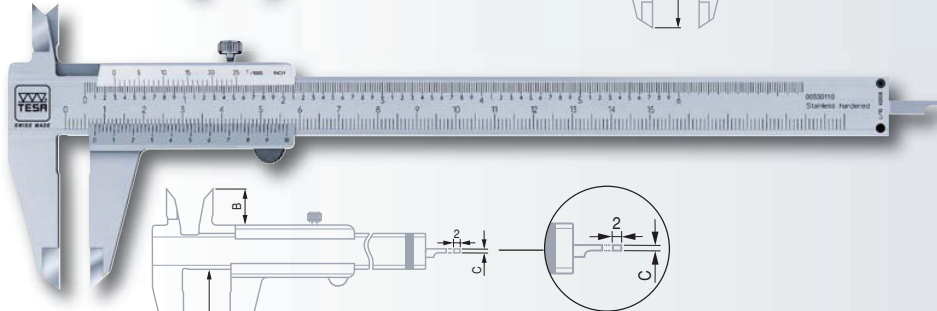
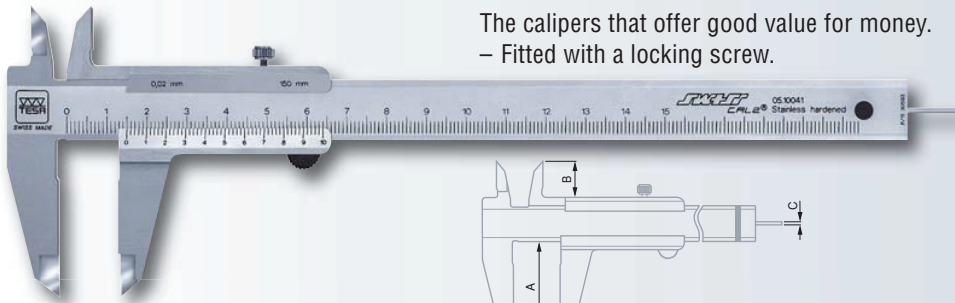


TESA Calipers with Vernier Reading

The calipers that offer good value for money.
– Fitted with a locking screw.



DIN 862
(Style 1AN-2)
NF E 11-091



Satin-chrome scale
background;
main scale
slightly set back for wear
protection



See page B-2



Hardened
stainless steel



Suited
plastic case



Identification
number



Inspection report
with a declaration
of conformity



		mm	mm	in	in	A mm	B mm	C mm
00510041	SWISSCAL 2	0 ÷ 150	0,02	–	–	40	15,5	Ø1,5
00510047	Standard model	0 ÷ 150	0,05	–	–	40	15,5	Ø1,5
00530103	Standard model	0 ÷ 150	0,05	0 ÷ 6	1/128	40	15,5	Ø1,5
00530104	Standard model	0 ÷ 200	0,05	0 ÷ 8	1/128	50	18	1,5 x 2
00530105	Standard model	0 ÷ 300	0,05	0 ÷ 12	1/128	64	22	–
00530110	Standard model	0 ÷ 150	0,02	0 ÷ 6	0.001	40	15,5	Ø1,5
00530111	Standard model	0 ÷ 200	0,02	0 ÷ 8	0.001	50	18	1,5 x 2
00530112	Standard model	0 ÷ 300	0,02	0 ÷ 12	0.001	64	22	–
00530120	Self-locking model	0 ÷ 150	0,05	0 ÷ 6	1/128	40	15,5	1,5 x 2
00530121	Self-locking model	0 ÷ 150	0,02	0 ÷ 6	0.001	40	15,5	1,5 x 2
00530130	Self-locking model with parallax-free readout	0 ÷ 150	0,05	0 ÷ 6	1/128	40	15,5	1,5 x 2
00530131	Self-locking model with parallax-free readout	0 ÷ 150	0,02	0 ÷ 6	0.001	40	15,5	1,5 x 2

Optional Accessories

00560013 Depth measuring foot (also see page B-24)

0051610365 Magnetic magnifying glass, 3x magnification

Magnetic Magnifying Glass

Can be mounted on calipers and the like for easier vernier reading.



Plastic
pocket bag



2 permanent
magnets



0051610365

3x magnification