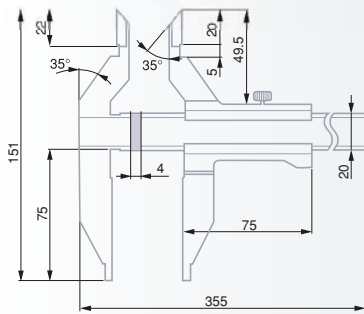
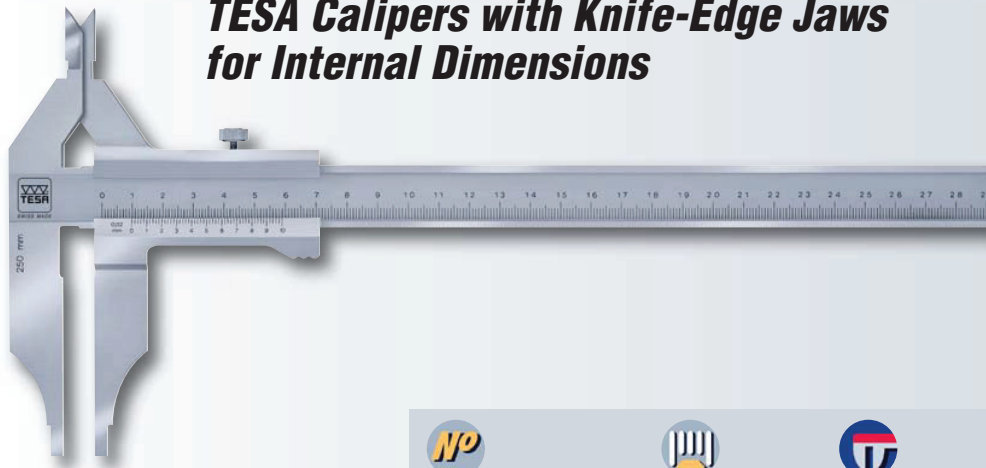


TESA Calipers with Knife-Edge Jaws for Internal Dimensions



00510915



0 ÷ 250



0,02

Optional Accessory

0051610365 Magnetic magnifying glass, 3x magnification



✓
DIN 862
(Style DN-2)
NF E 11-091



Satin-chrome
scale background;
main scale
slightly set back for wear
protection.



Hardened
stainless steel



Wooden case



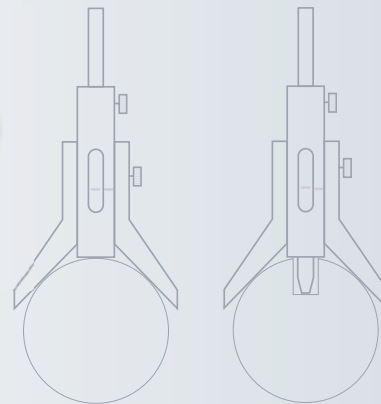
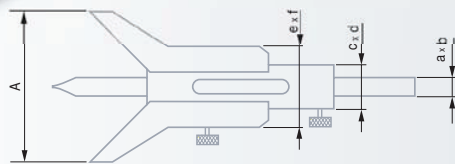
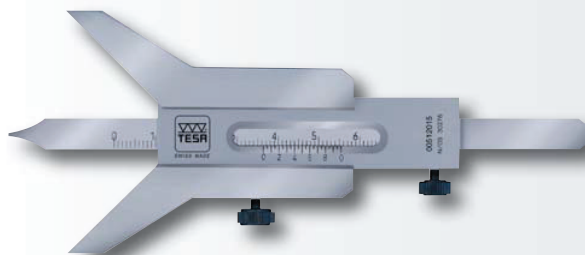
Identification
number



Inspection report
with a declaration
of conformity

TESA Calipers with Vee Bridge

Made to measure groove and slot depths on cylindrical shafts.



✓
NF E 11-096



Satin-chrome
scale background;
main scale
slightly set back for wear
protection.



Hardened
stainless steel



Wooden case



Identification
number



Inspection report
with a declaration
of conformity



00512015



5 ÷ 80



0,05



mm

a

b

c

d

e

f

A

00512016

00512017

Optional Accessory

0051610365 Magnetic magnifying glass, 3x magnification