



DIN 862
(Style C-2)
NF E 11-096

Satin-chrome
scale background;
main scale
slightly set back for
wear protection

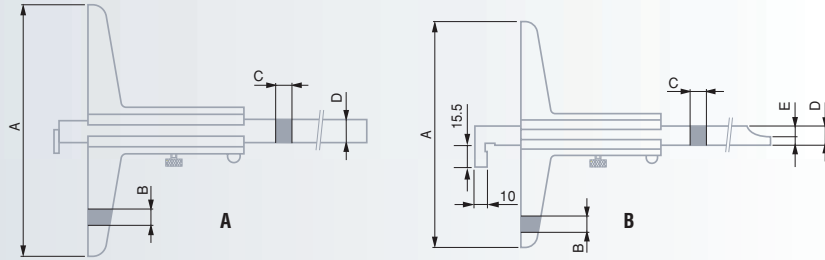
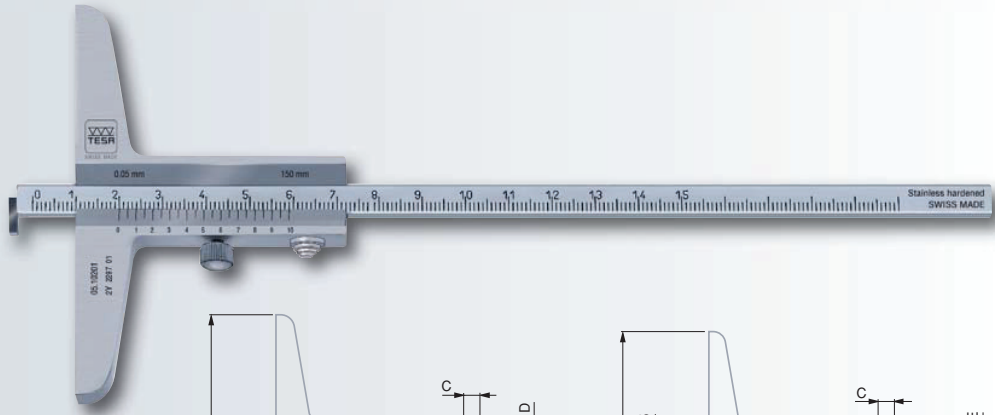
See page B-2

Hardened
stainless steel

Plastic case

Identification
number

Inspection report
with a declaration
of conformity



mm

Models A with rotary stop plate

No.	mm	mm	A	B	C	D	E
00510202	0 ÷ 150	0,02	130	8,5	4	12	–
00510201	0 ÷ 150	0,05	130	8,5	4	12	–
00510212	0 ÷ 250	0,02	130	8,5	4	12	–
00510211	0 ÷ 250	0,05	130	8,5	4	12	–
00510222	0 ÷ 500	0,02	130	8,5	4	12	–

Models B with both a fixed stop plate and short cut measuring face. Convertible models

00510175	0 ÷ 150	0,02	100	7,5	3	8	3,5
00510177	0 ÷ 250	0,02	130	8,5	4	12	4
00510179	0 ÷ 300	0,02	150	8,5	4	12	4
00510181	0 ÷ 500	0,02	150	8,5	4	12	4

Optional Accessories

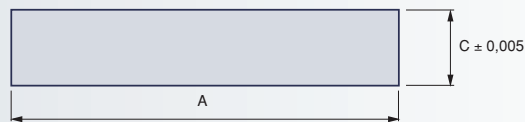
0051610365	Magnetic magnifying glass, 3x magnification 200, 300 or 400 mm removable bridge (see the table below)
------------	--

Removable Bridge



No.	mm	A mm	B mm	C mm	mm	mm	µm
00560103	Removable bridge	200	8	10	± 0,005	0,02	8
00560104	Removable bridge	300	8	16	± 0,005	0,02	10
00560105	Removable bridge	400	8	16	± 0,005	0,03	10

Each bridge comes with suited attachment.



Factory
standard

See table

Suited
carrying case

Identification
number

Inspection report
with a declaration
of conformity