



DIN 862  
(Style EN-2)  
NFE 11-091

Satin-chrome scale  
background;  
main scale  
slightly set back for  
wear protection

See page B-2

Hardened  
stainless steel

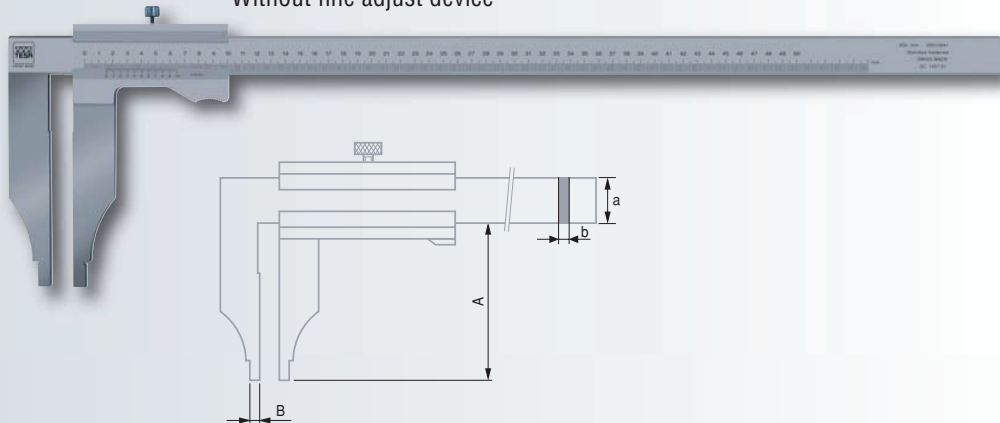
Wooden case or  
plastic case  
depending on  
the model

Identification  
number

Inspection report  
with a declaration  
of conformity

## Models with rounded measuring faces for internal dimensions

– Without fine adjust device



No	mm		in		mm		A	B
	mm	mm	in	in	a	b		
00510509*	0 ÷ 200	0,02	–	–	17	3,5	80	5
00530509	0 ÷ 200	0,02	0 ÷ 8	0.001	17	3,5	80	5
00510506	0 ÷ 200	0,05	–	–	17	3,5	80	5
00510511	0 ÷ 250	0,02	–	–	20	4	90	5
00510512	0 ÷ 250	0,05	–	–	20	4	90	5
00510521	0 ÷ 300	0,02	–	–	20	4	90	5
00530521	0 ÷ 300	0,02	0 ÷ 12	0.001	20	4	90	5
00510522	0 ÷ 300	0,05	–	–	20	4	90	5
00510531	0 ÷ 400	0,02	–	–	24,5	5	125	10
00530531	0 ÷ 400	0,02	0 ÷ 15	0.001	24,5	5	125	10
00510541	0 ÷ 500	0,02	–	–	28	6	150	10
00510542	0 ÷ 500	0,05	–	–	28	6	150	10
00510551	0 ÷ 600	0,02	–	–	28	6	150	10

*Optional Accessory*

**0051610365** Magnetic magnifying glass, 3x magnification

\* Provided with a stainless steel rule No. 0951750181, 200 mm long.