



TWIN CAL IP67

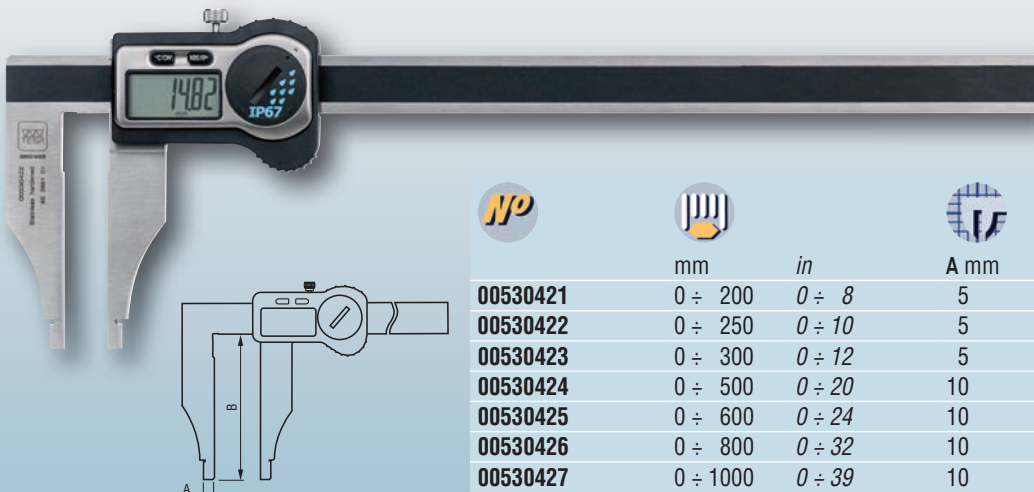
UNIQUE FEATURES

- Total IP67 protection from dust and water, even when connected to cable
- The largest screen available on the market with 11 mm digit height
- Battery life of over 12,000 hours
- ABS measurement mode
- Unique TWIN & LINK connectivity concept providing upgradeable performance for the entire TWIN-CAL range
- "Soft touch" features for easy measurements



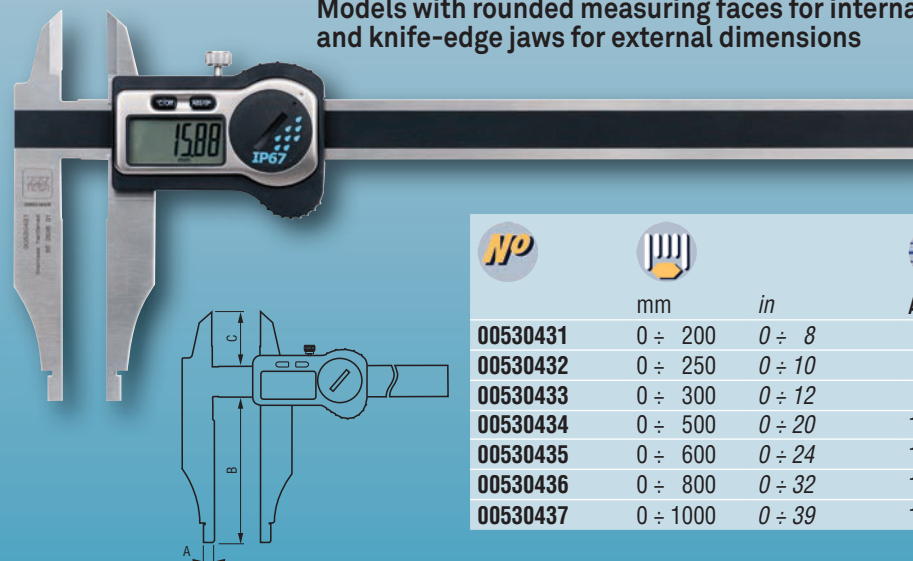
Workshop electronic calipers

Models with rounded measuring faces for internal dimensions



No	mm		in		A mm	B mm
	mm	in	mm	in		
00530421	0 ÷ 200	0 ÷ 8	5	80		
00530422	0 ÷ 250	0 ÷ 10	5	80		
00530423	0 ÷ 300	0 ÷ 12	5	90		
00530424	0 ÷ 500	0 ÷ 20	10	150		
00530425	0 ÷ 600	0 ÷ 24	10	150		
00530426	0 ÷ 800	0 ÷ 32	10	150		
00530427	0 ÷ 1000	0 ÷ 39	10	150		

Models with rounded measuring faces for internal dimensions and knife-edge jaws for external dimensions



No	mm		in		A mm	B mm	C mm
	mm	in	mm	in			
00530431	0 ÷ 200	0 ÷ 8	5	80	30		
00530432	0 ÷ 250	0 ÷ 10	5	80	37		
00530433	0 ÷ 300	0 ÷ 12	5	90	37		
00530434	0 ÷ 500	0 ÷ 20	10	150	60		
00530435	0 ÷ 600	0 ÷ 24	10	150	60		
00530436	0 ÷ 800	0 ÷ 32	10	150	56		
00530437	0 ÷ 1000	0 ÷ 39	10	150	56		

- ✓
- ISO 13385-1
- 0,01 mm / 0,0005 in
- LCD, 11 mm
- Floating zero
- Conversion mm / in
- ≤100 mm: 20 µm
 >100 - ≤600: 30 µm
 >600 - ≤1000: 40 µm
- 10 µm
- Scale with incremental divisions, inductive
- 2,5 m / s
- RS232 mono- and bi-directional
- Hardened stainless steel
- 3V lithium battery, CR 2032
- 12,000 hours
- Standby mode after 10 min, instrument retains zero. Automatic switch off after 2 hours, instrument retains zero in ABS mode, zero must be reset in DIFF mode
- 10°C à 60°C
- 10°C à 40°C
- 100%
- IP 67
- 1907/2006/CE
2004/108/CE
2002/96/CE
- Suited plastic case
- Inspection report with declaration of conformity
- Identification Number
- TWIN compatible