

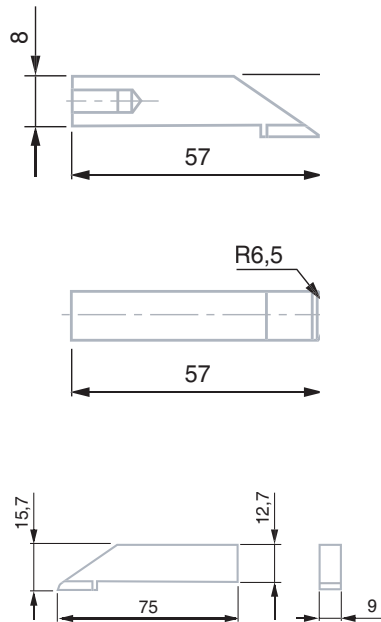


DIAL SCRIBING GAUGES, METRIC

- Robust construction in stainless steel.
- Smooth move throughout the measuring range.
- Supplied in a suited case with inspection report.
- White dial face.



◀ 07714001



Order number	Measuring range	Scale division	Travel per revolution	Scriber
Metric models	mm	mm	mm	
07714001	300	0,01	1,0	057137
07714002	600	0,02	2,0	057138
Inch models	in	in	in	
07724001	12	0.001	0.100	057137
07724002	24	0.001	0.100	057138