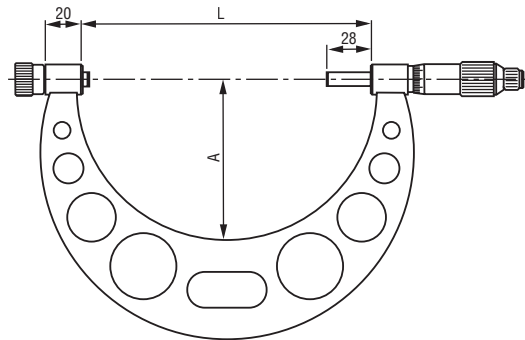


EXTERNAL MICROMETERS WITH INTERCHANGEABLE ANVILS

- Cast-iron frame up to 300 mm or tubular over 300 mm.
- Scale division to 0,01 mm.
- Setting standard included.
- Ratchet friction thimble and locking nut.
- Delivered in a suited case with inspection report.



▲ 00114031

| Order number | Measuring range (mm) | Precision (mm) | A (mm) | L (mm) | Number of anvils | Number of setting standards |
|--------------|----------------------|----------------|--------|--------|------------------|-----------------------------|
| 00114030 | 0 ÷ 150 | 0,006 | 82 | 158 | 6 | 5 |
| 00114031 | 150 ÷ 300 | 0,009 | 165 | 308 | 6 | 6 |
| 00114032 | 300 ÷ 450 | 0,011 | 250 | 459 | 6 | 6 |
| 00114033 | 450 ÷ 600 | 0,015 | 321 | 609 | 6 | 6 |
| 00114034 | 600 ÷ 750 | 0,016 | 401 | 759 | 6 | 6 |
| 00114035 | 750 ÷ 900 | 0,020 | 476 | 909 | 6 | 6 |
| 00114036 | 900 ÷ 1050 | 0,021 | 551 | 1059 | 6 | 6 |