

EXTERNAL MICROMETERS, METRIC



▲ 00114010

▲ 00114041

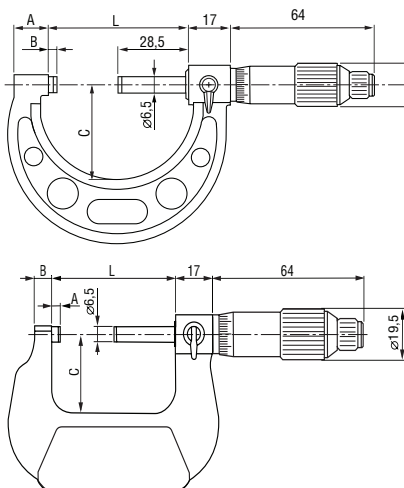
- ▶ Carbide-tipped measuring faces.
- ▶ Scale division 0,01 mm / 0.0001 in.
- ▶ Setting standard for sizes over 25 mm/1 in.
- ▶ Ratchet friction thimble and locking nut.
- ▶ Delivered in a suited case with inspection report.

Order number	Measuring range (mm)	Precision (mm)	Setting standards (mm)
00114010	0 ÷ 25	0,004	–
00114011	25 ÷ 50	0,004	25
00114012	50 ÷ 75	0,005	50
00114013	75 ÷ 100	0,005	75
00114014	100 ÷ 125	0,006	100
00114015	125 ÷ 150	0,006	125
00114016	150 ÷ 175	0,007	150
00114017	175 ÷ 200	0,007	175
00114018	200 ÷ 225	0,008	200
00114019	225 ÷ 250	0,008	225
00114020	250 ÷ 275	0,009	250
00114021	275 ÷ 300	0,009	275

External micrometer sets, metric

Order number	Application range (mm)	Single micrometers	Setting standards (mm)
00114040	0 ÷ 75	3	25, 50
00114041	0 ÷ 100	4	25, 50, 75

Full sets are supplied in a suited case with inspection report to each micrometer.



Measuring range	Dimensions (mm)			
	A	B	C	L
Metric (mm)				
0 ÷ 25	3,0	6	24	32
25 ÷ 50	3,0	8	32	57
50 ÷ 75	3,0	8	45	82
75 ÷ 100	3,0	8	57	107
100 ÷ 125	3,0	8	70	133
125 ÷ 150	3,0	8	82	158
150 ÷ 175	5,5	8	95	183
175 ÷ 200	5,5	8	107	209
200 ÷ 225	5,5	19,4	130	234
225 ÷ 250	5,5	19,4	142	260
250 ÷ 275	5,5	19,4	155	285
275 ÷ 300	5,5	19,4	168	310