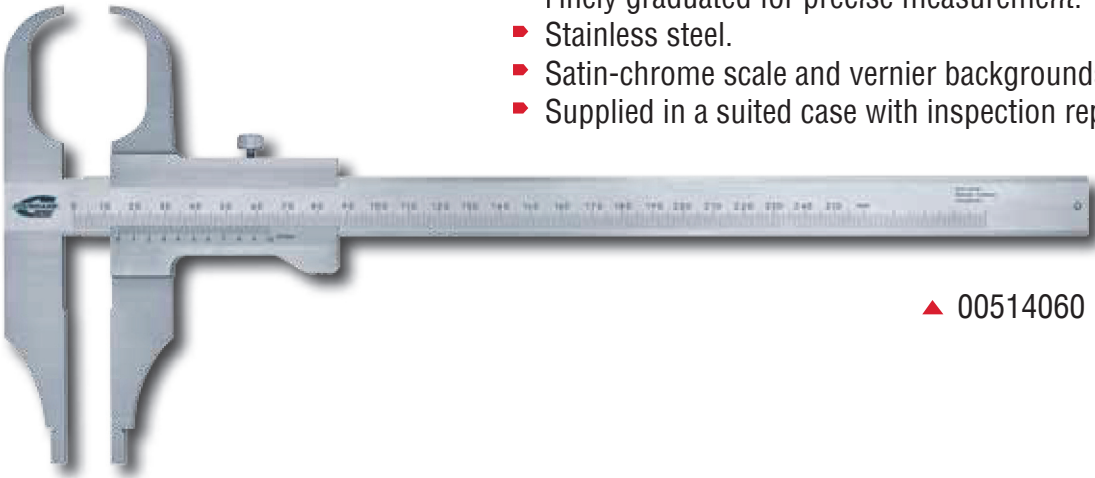




VERNIER CALIPERS, ARCHED JAW

- ▶ Finely graduated for precise measurement.
- ▶ Stainless steel.
- ▶ Satin-chrome scale and vernier backgrounds.
- ▶ Supplied in a suited case with inspection report.

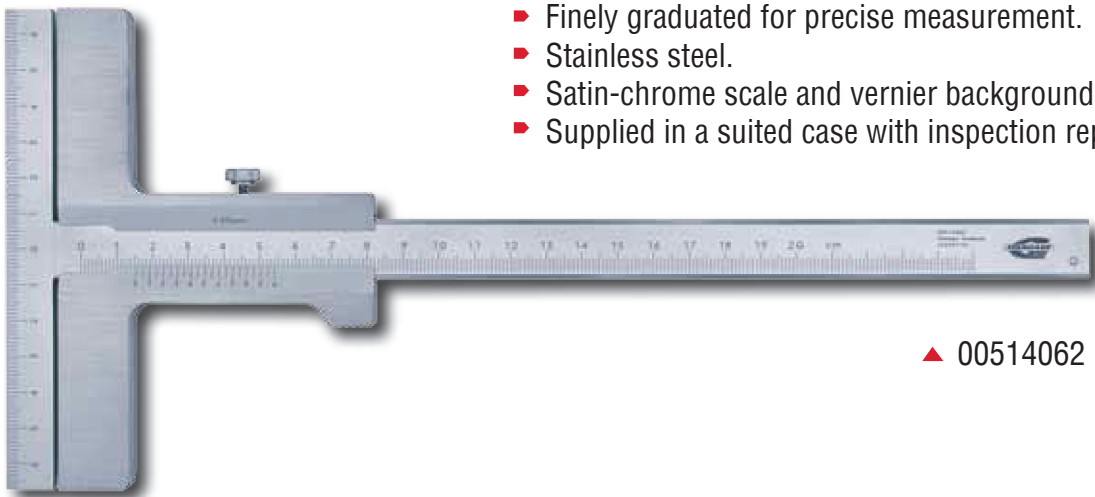


▲ 00514060

Order number	Measuring range		Vernier reading		Length of big jaws	Length of small jaws
	lower scale	upper scale	lower scale	upper scale		
Metric models	mm		mm		mm	mm
00514060	0 ÷ 250		0.02		75	56
00514061	0 ÷ 250		0.05		75	56
Metric/Inch models	mm	in	mm	in	mm	mm
00534061	0 ÷ 250	0 ÷ 10	0.05	1/128"	75	56

VERNIER CALIPERS, T-TYPE

- ▶ Finely graduated for precise measurement.
- ▶ Stainless steel.
- ▶ Satin-chrome scale and vernier backgrounds.
- ▶ Supplied in a suited case with inspection report.



▲ 00514062

Order number	Measuring range		Vernier reading		Length of T jaws
	lower scale	upper scale	lower scale	upper scale	
Metric models	mm		mm		mm
00514062	0 ÷ 200		0.05		135
00514063	0 ÷ 300		0.05		160
00514064	0 ÷ 400		0.05		160
Inch models	in		in		in
00524063	0 ÷ 12		1/128		6.3"