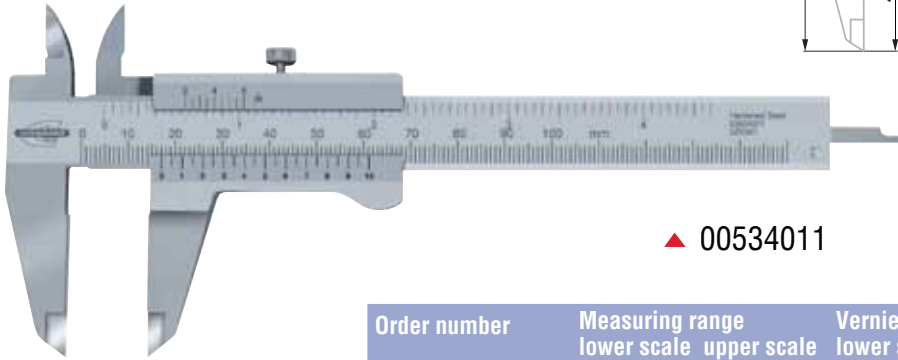
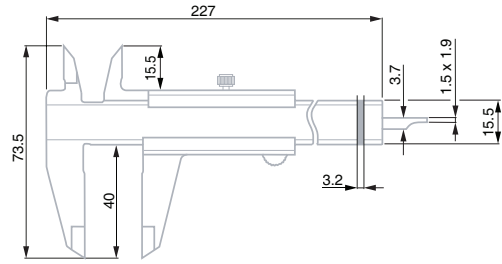




## VERNIER CALIPERS, METRIC/INCH

- Finely graduated for precise measurement.
- Stainless steel.
- Satin-chrome scale and vernier backgrounds.
- Supplied in a suited case with inspection report.

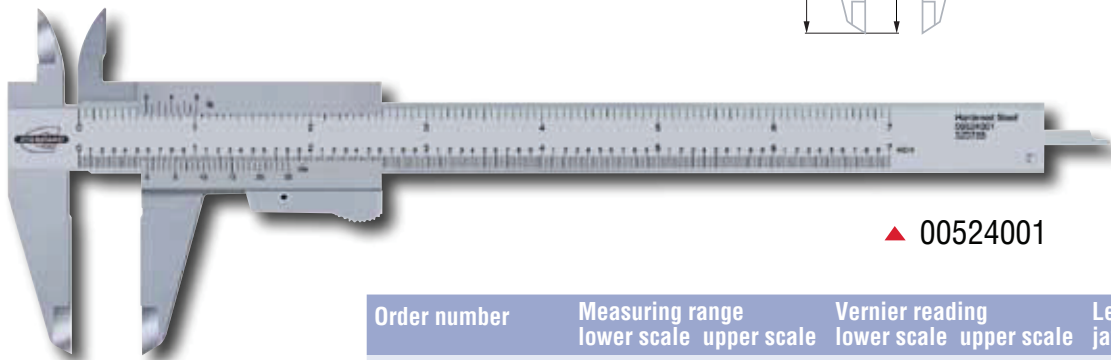
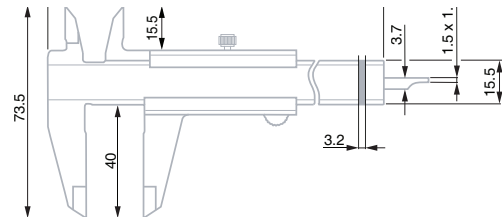


▲ 00534011

Order number	Measuring range		Vernier reading		Length of jaws
	lower scale	upper scale	lower scale	upper scale	
Metric/inch models	mm	in	mm	in	mm
<b>00534011</b>	0 ÷ 100	0 ÷ 4	0,05	1/128	30
<b>00534012</b>	0 ÷ 150	0 ÷ 6	0,02	0.001	40
<b>00534013</b>	0 ÷ 150	0 ÷ 6	0,05	1/128	40
<b>00534014</b>	0 ÷ 200	0 ÷ 8	0,02	0.001	50
<b>00534030</b>	0 ÷ 200	0 ÷ 8	0.05	1/128	50
<b>00534015</b>	0 ÷ 300	0 ÷ 12	0,02	0.001	60
<b>00534031</b>	0 ÷ 300	0 ÷ 12	0.05	1/128	60

## VERNIER CALIPERS, INCH

- Finely graduated for precise measurement.
- Stainless steel.
- Satin-chrome scale and vernier backgrounds.
- Supplied in a suited case with inspection report.



▲ 00524001

Order number	Measuring range		Vernier reading		Length of jaws
	lower scale	upper scale	lower scale	upper scale	
Inch models	in	in	in	in	in
<b>00524001</b>	0 ÷ 6	0 ÷ 6	0.001	1/128	1.6
<b>00524002</b>	0 ÷ 8	0 ÷ 8	0.001	1/128	1.6